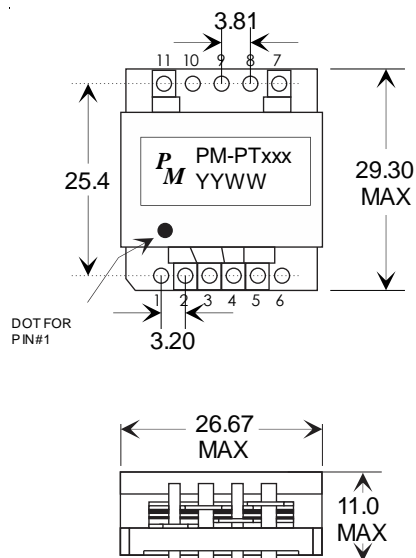


- \* Designed for forward converter, half/full bridge, active clamp
- \* Power Range: 150 to 250 W
- \* Isolation Voltage: 350 Vdc at 1 second  
(1) Isolation Voltage: 2250 Vdc at 1 second
- \* Switching frequency: 200 to 700 kHz optimized
- \* Operating Temperature: -40°C to +125°C
- \* Storage Temperature: -25°C to +100°C

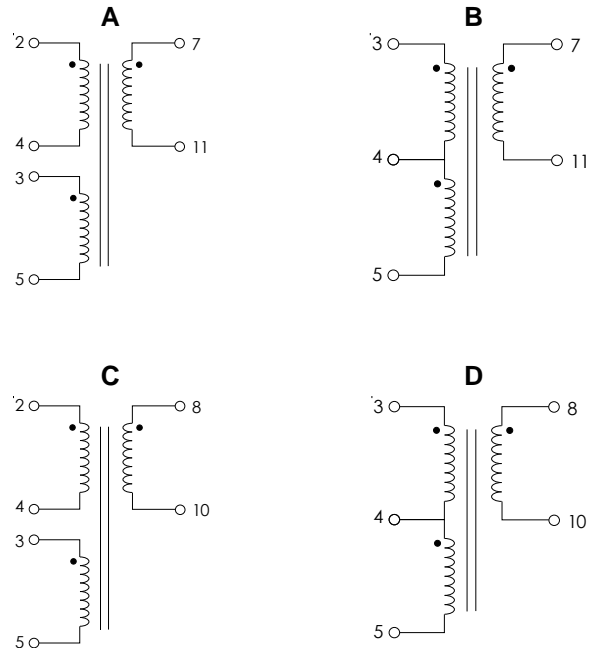
## ELECTRICAL SPECIFICATIONS AT 25°C

| PART NUMBER  | L (μH) MIN<br>100kHz, 100mV<br>PRI TIE IN SERIES | LL (μH) MAX<br>PRI TIE IN SERIES &<br>SEC SHORT | TURNS<br>(PRI1:PRI2:SEC) | DCR (mh) MAX |       |     | ET (VμS) | SCHEMATIC |
|--------------|--|---|--------------------------|--------------|-------|-----|----------|-----------|
|              |  |   |                          | PRI 1        | PRI 2 | SEC |          |           |
| PM-PT001     | 65   | 0.15  | 2 : 2 : 4                | 1.5          | 1.5   | 3.5 | 119      | A         |
| PM-PT002     | 145  | 0.25  | 3 : 3 : 4                | 3.0          | 3.0   | 3.5 | 178      | B         |
| PM-PT003     | 260  | 0.40  | 4 : 4 : 4                | 5.0          | 5.0   | 3.5 | 238      | A         |
| PM-PT004     | 410  | 0.65  | 5 : 5 : 4                | 6.0          | 6.0   | 3.5 | 297      | A         |
| PM-PT005     | 65   | 0.15  | 2 : 2 : 3                | 1.5          | 1.5   | 3.5 | 119      | C         |
| PM-PT006     | 145  | 0.25  | 3 : 3 : 3                | 3.0          | 3.0   | 3.0 | 178      | D         |
| PM-PT007     | 260  | 0.40  | 4 : 4 : 3                | 5.0          | 5.0   | 3.0 | 238      | C         |
| PM-PT008     | 410  | 0.80  | 5 : 5 : 3                | 6.0          | 6.0   | 3.0 | 297      | C         |
| PM-PT009     | 65   | 0.15  | 2 : 2 : 2                | 1.5          | 1.5   | 1.2 | 119      | A         |
| PM-PT010     | 143  | 0.25  | 3 : 3 : 2                | 3.0          | 3.0   | 1.2 | 178      | B         |
| PM-PT011 (1) | 260  | 0.65  | 4 : 4 : 2                | 5.0          | 5.0   | 1.2 | 238      | A         |
| PM-PT012 (1) | 410  | 1.00  | 5 : 5 : 2                | 6.0          | 6.0   | 1.2 | 297      | A         |

## DIMENSIONS IN mm



## SCHEMATICS



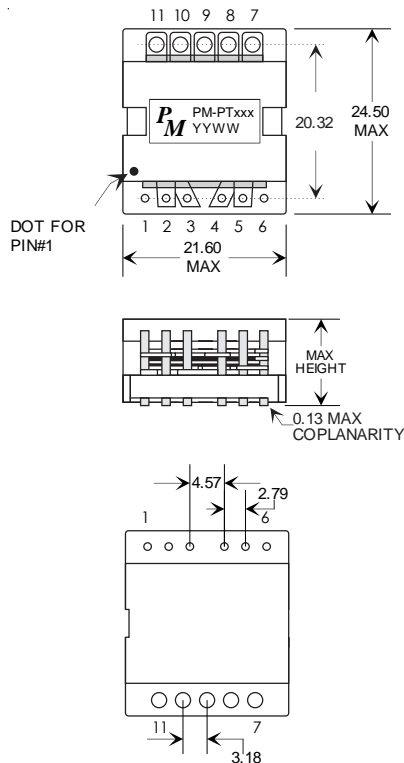
- \* Power Range: up to 140 Watts
- \* Isolation Voltage: 1750 Vdc
- \* Switching frequency: 200 to 500 kHz

- \* Operating Temperature: -30°C to +105°C
- \* Storage Temperature: -25°C to +100°C

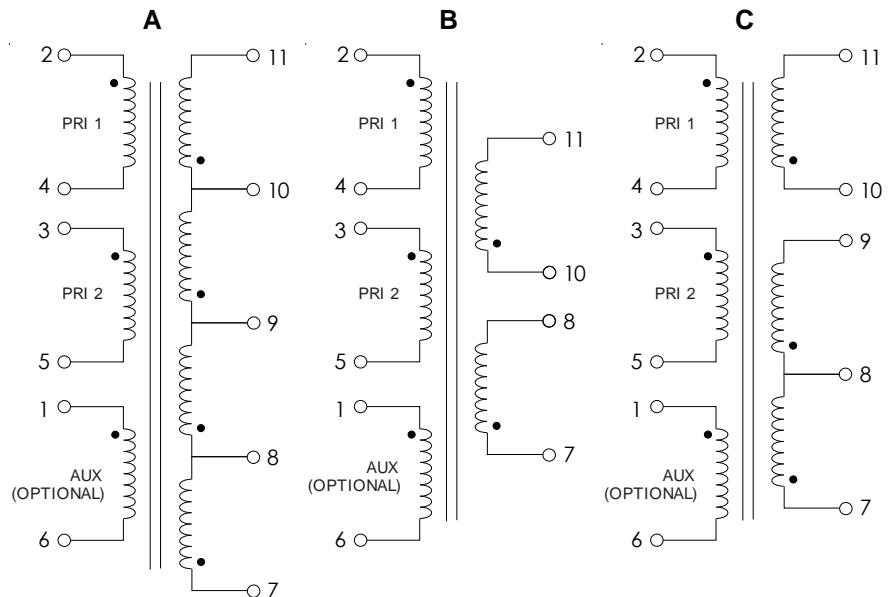
## ELECTRICAL SPECIFICATIONS AT 25°C

| PART NUMBER | L (μH) MIN<br>10kHz, 50mV<br>PRI TIE IN SERIES | LL (μH) MAX<br>PRI TIE IN SERIES &<br>SEC SHORT | TURNS<br>(PRI1:PRI2:SEC) | DCR (mΩ) MAX |       |             | SCHEMATIC /<br>MAX HEIGHT<br>(mm) |
|-------------|--|---|--------------------------|--------------|-------|-------------|-----------------------------------|
|             |  |   |                          | PRI 1        | PRI 2 | SEC         |                                   |
| PM-PT101    | 153  | 0.45  | 4 : 4 : 4                | 17.5         | 17.5  | 7.0         | A / 10.5                          |
| PM-PT102    | 194  | 0.45  | 4 : 5 : 4                | 17.5         | 20.0  | 7.0         | A / 10.5                          |
| PM-PT103    | 240  | 0.55  | 5 : 5 : 4                | 20.0         | 20.0  | 7.0         | A / 10.5                          |
| PM-PT104    | 290  | 0.60  | 5 : 6 : 4                | 20.0         | 25.0  | 7.0         | A / 10.5                          |
| PM-PT105    | 345  | 0.65  | 6 : 6 : 4                | 25.0         | 25.0  | 7.0         | A / 10.5                          |
| PM-PT106    | 153  | 0.45  | 4 : 4 : 1&1              | 17.5         | 17.5  | 1.0 & 1.0   | B / 10.5                          |
| PM-PT107    | 194  | 0.55  | 4 : 5 : 1&1              | 17.5         | 20.0  | 1.0 & 1.0   | B / 10.5                          |
| PM-PT108    | 240  | 0.70  | 5 : 5 : 1&1              | 20.0         | 20.0  | 1.0 & 1.0   | B / 10.5                          |
| PM-PT109    | 290  | 0.90  | 5 : 6 : 1&1              | 20.0         | 25.0  | 1.0 & 1.0   | B / 10.5                          |
| PM-PT110    | 345  | 0.75  | 6 : 6 : 1&1              | 25.0         | 25.0  | 1.0 & 1.0   | B / 10.5                          |
| PM-PT111    | 153  | 0.45  | 4 : 4 : 2&1              | 17.5         | 17.5  | 1.85 & 1.85 | C / 10.5                          |
| PM-PT112    | 194  | 0.45  | 4 : 5 : 2&1              | 17.5         | 20.0  | 1.85 & 1.85 | C / 10.5                          |
| PM-PT113    | 240  | 0.55  | 5 : 5 : 2&1              | 20.0         | 20.0  | 1.85 & 1.85 | C / 10.5                          |
| PM-PT114    | 290  | 0.65  | 5 : 6 : 2&1              | 20.0         | 25.0  | 1.85 & 1.85 | C / 11.5                          |
| PM-PT115    | 345  | 0.80  | 6 : 6 : 2&1              | 25.0         | 25.0  | 1.85 & 1.85 | C / 11.5                          |

## DIMENSIONS IN mm



## SCHEMATICS



Specifications subject to change without notice.

02/2019