



10/100 Base-TX ISOLATION TRANSFORMERS WITH FILTERS

- * Designed for 10/100MB/s Transmission Over UTP-5 Cable, IEEE 802.3 100BASE-TX.
- * Designed for 350uHY Primary OCL with an 8mA bias.
- * Designed to Support all leading Fast Ethernet Chip Sets.
- * Provides the Cable Interface, Isolation & Common Mode Filtering required by the PMD Sublayer.
- * Through Hole SIP & Low Profile Surface Mount Packages.

NORMAL TEMP RANGE

ELECTRICAL SPECIFICATIONS AT 25°C - OPERATING TEMPERATURE RANGE 0°C TO +70°C

PART NUMBER	INSERTION LOSS (dB Max) 1 to 80MHz	RISE TIME (ns Typ) 10-90%	Differential to Common Mode Rejection (dB Min)			Return Loss (dB Min)			Crosstalk (dB Min)		HI-POT (Vrms Min)
			1-30 MHz	30-100 MHz	100-150 MHz	1-30 MHz	30-60 MHz	60-100 MHz	1-60MHz	60-100MHz	
PM-8508	-1.0	2.5	-60	-50	-30	-18	-12	-10	n/a	n/a	1500
PM-8510	-1.0	2.5	-31	-31	-28	-18	-12	-10	n/a	n/a	1500
PM-8515	-1.0	2.5	-42	-37	-34	-18	-12	-10	-40	-38	1500
PM-8517	-1.0	2.5	-42	-37	-34	-18	-12	-10	-40	-38	1500
PM-8520	-1.1	2.5	-31	-31	-28	-18	-12	-10	-40	-38	1500
PM-8529	-1.1	2.5	-45	-40	-35	-16	-12	-10	-40	-35	1500
PM-8535	-1.2	2.5	-35	-30	-25	-18	-12	-10	-40	-38	3000
PM-8536	-1.2	2.5	-35	-30	-25	-18	-12	-10	-40	-38	3000
PM-8538	-1.2	2.5	-43	-37	-33	-16	-13	-12	-45	-38	3000
PM-8540	-1.2	2.5	-35	-30	-25	-18	-12	-10	-40	-38	5000
PM-8589	-1.0	2.5	-42	-38	-32	-22	-18	-12	-40	-40	1500

EXTENDED TEMP RANGE

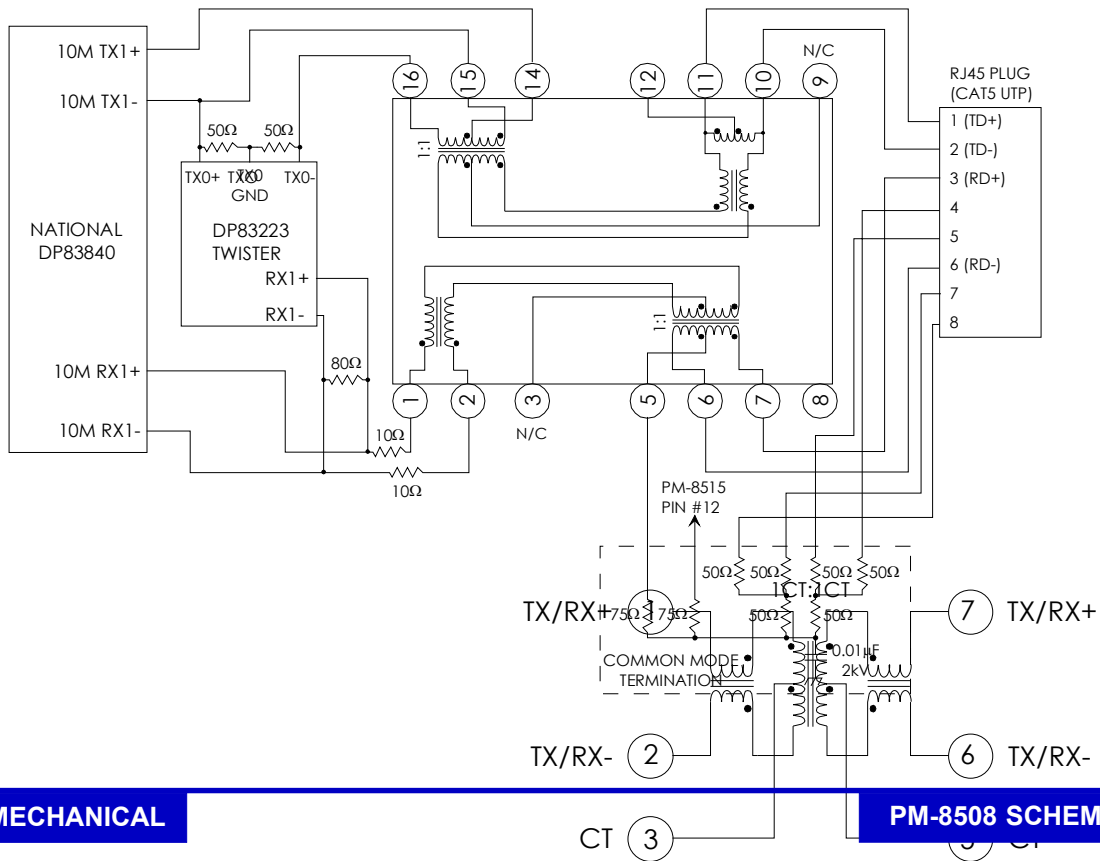
ELECTRICAL SPECIFICATIONS AT 25°C - OPERATING TEMPERATURE RANGE -40°C TO +85°C

PART NUMBER	INSERTION LOSS (dB Max) 1 to 80MHz	RISE TIME (ns Typ) 10-90%	Differential to Common Mode Rejection (dB Min)			Return Loss (dB Min)			Crosstalk (dB Min)		HI-POT (Vrms Min)
			1-30 MHz	30-100 MHz	100-150 MHz	1-30 MHz	30-60 MHz	60-100 MHz	1-60MHz	60-100MHz	
PM-8590	-1.0	2.5	-42	-37	-32	-16	-11	-10	-40	-35	1500
PM-8591	-1.0	2.5	-42	-37	-32	-16	-11	-10	-40	-35	1500
PM-8592	-1.0	2.5	-42	-37	-34	-18	-12	-10	-40	-38	1500
PM-8540S	-1.2	2.5	-35	-30	-25	-18	-12	-10	-40	-38	5000

10/100 Base-TX ISOLATION TRANSFORMERS WITH FILTERS

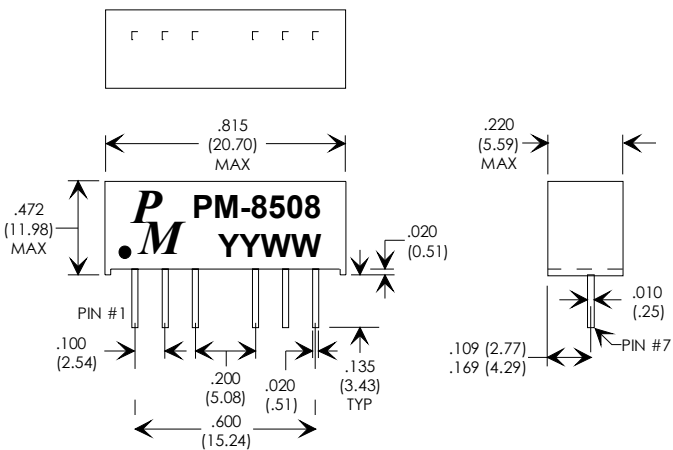
TYPICAL PM-8515 & 8592 APPLICATION

TYPICAL 10/100Mb/s ETHERNET NODE (10-BASE & 100BASE-TX)



PM-8508 MECHANICAL

PM-8508 SCHEMATIC

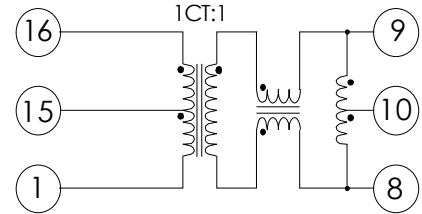
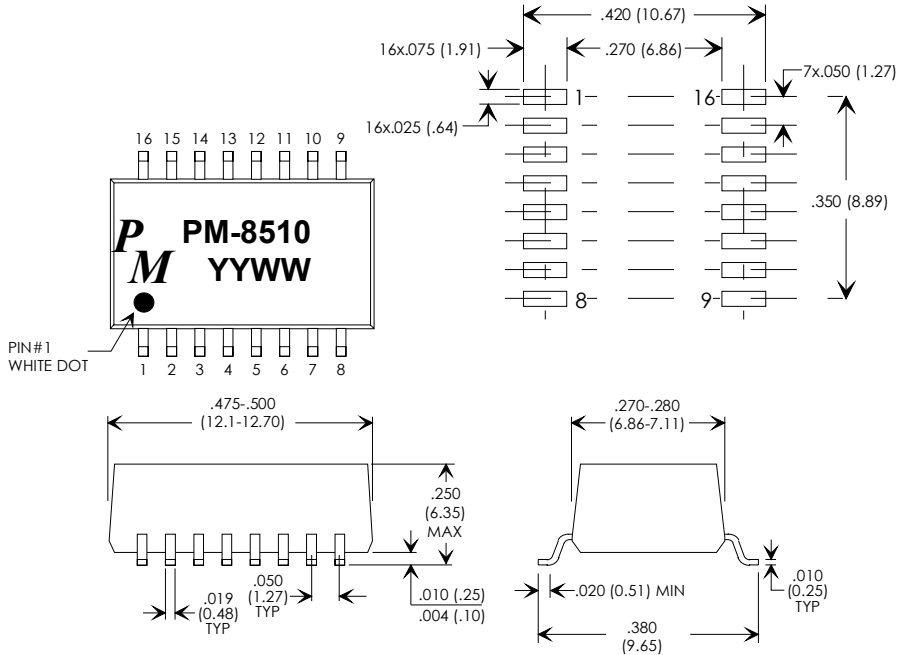


10/100 Base-TX ISOLATION TRANSFORMERS WITH FILTERS

PM-8510 MECHANICAL

RECOMMENDED P.C.B. LAYOUT All Dimensions in inches (mm)

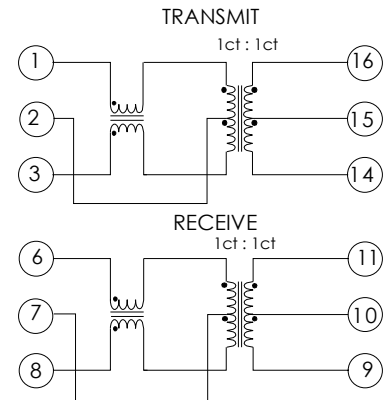
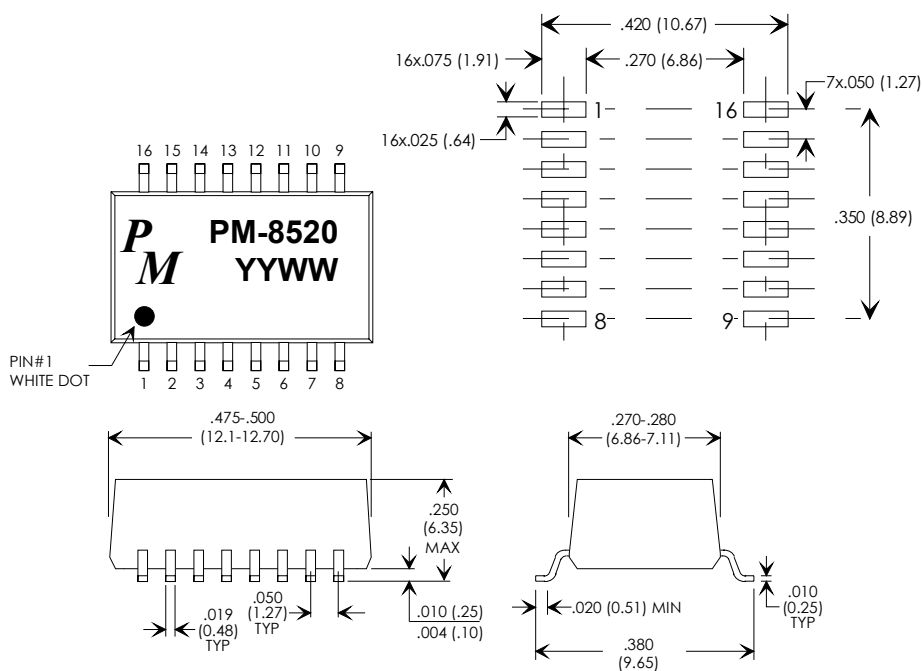
PM-8510 SCHEMATIC



PM-8520 MECHANICAL

RECOMMENDED P.C.B. LAYOUT All Dimensions in inches (mm)

PM-8520 SCHEMATIC

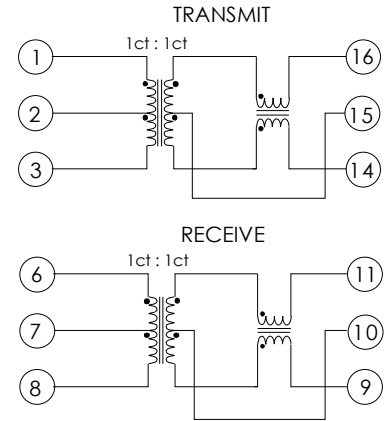
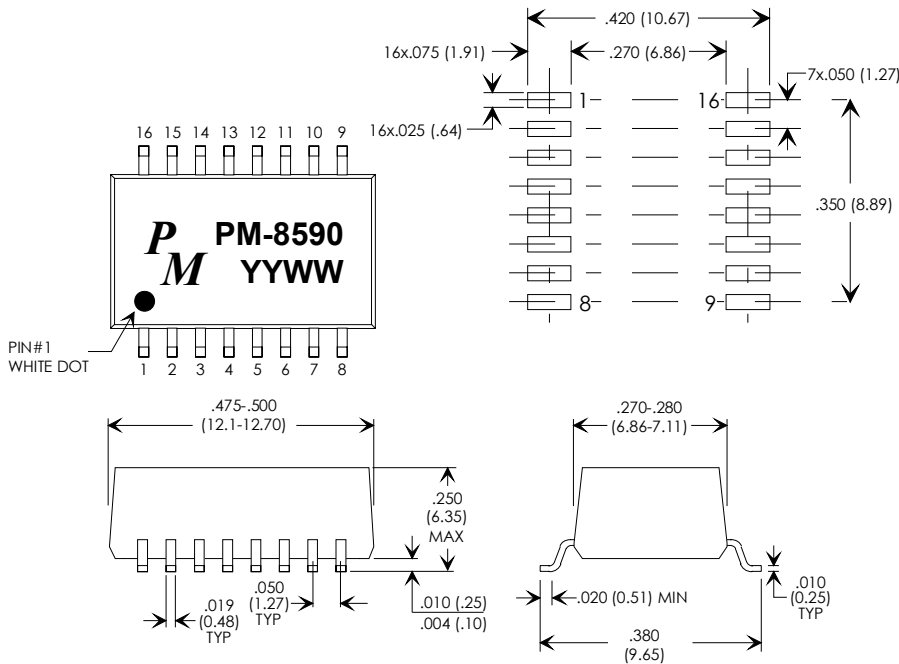


10/100 Base-TX ISOLATION TRANSFORMERS WITH FILTERS

PM-8590 MECHANICAL

PM-8590 SCHEMATIC

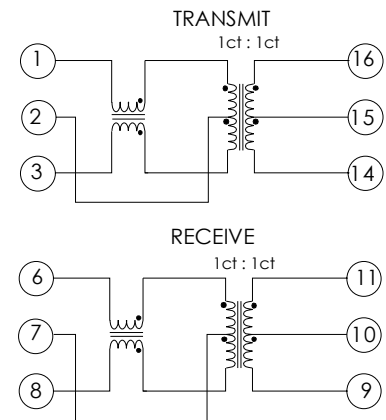
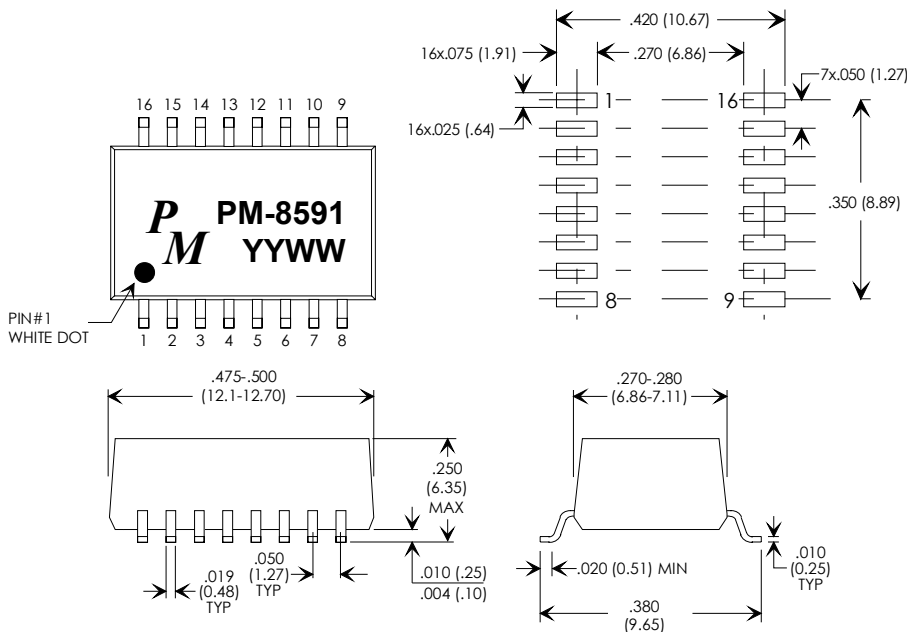
RECOMMENDED P.C.B. LAYOUT All Dimensions in inches (mm)



PM-8591 MECHANICAL

PM-8591 SCHEMATIC

RECOMMENDED P.C.B. LAYOUT All Dimensions in inches (mm)

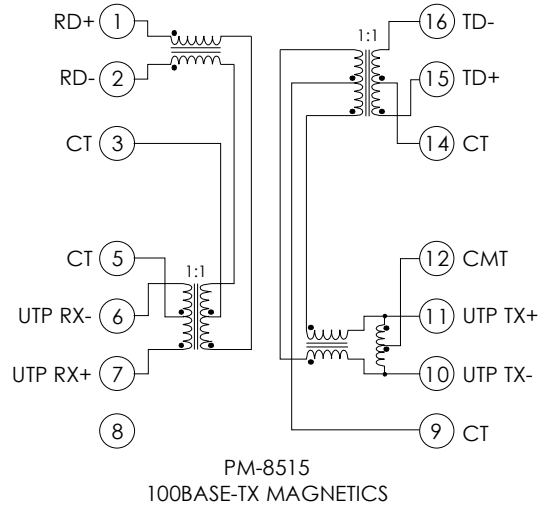
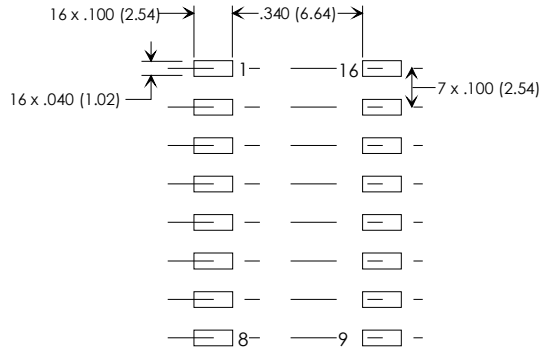


10/100 Base-TX ISOLATION TRANSFORMERS WITH FILTERS

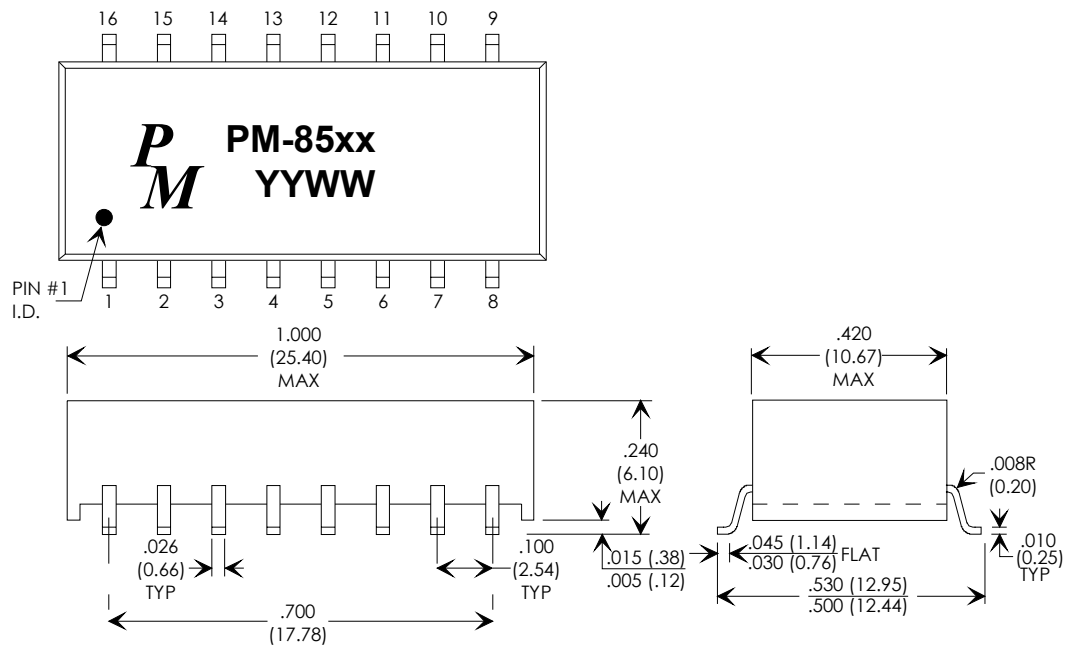
PM-8515 & 8592 MECHANICAL

PM-8515 & 8592 SCHEMATIC

RECOMMENDED P.C.B. LAYOUT Dimensions in inches (mm)



PHYSICAL DIMENSIONS IN INCHES (mm)



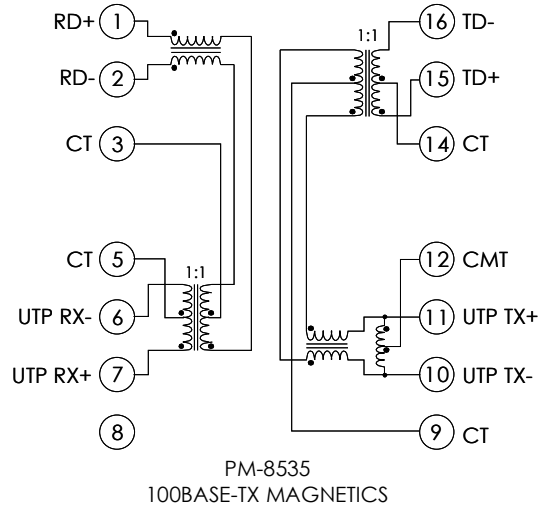
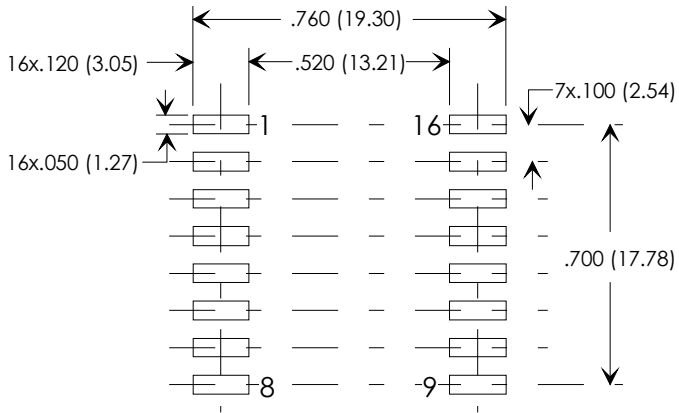
10/100 Base-TX ISOLATION TRANSFORMERS WITH FILTERS

PM-8535 MECHANICAL

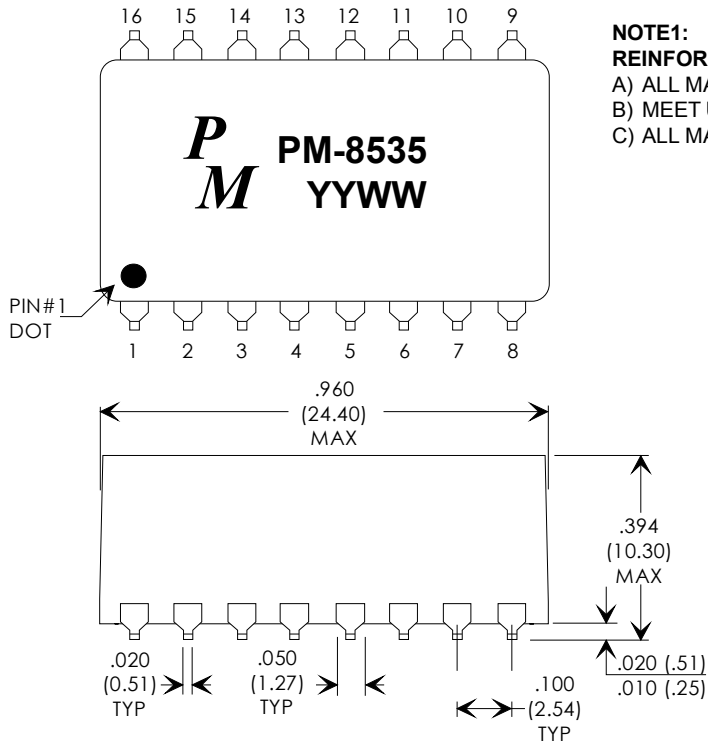
PM-8535 SCHEMATIC

RECOMMENDED P.C.B. LAYOUT

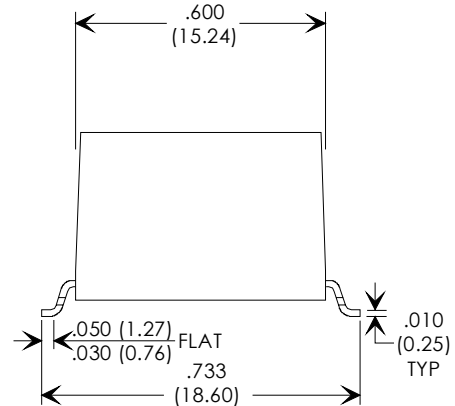
Dimensions in inches (mm)



PHYSICAL DIMENSIONS IN INCHES (mm)



NOTE1:
REINFORCED INSULATION SYSTEM (UL1950, CSA-950, IEC950):
A) ALL MATERIALS MEET "UL", "CSA" & "IEC" REQUIREMENTS
B) MEET UL 94-VO FOR FLAMABILITY.
C) ALL MATERIALS ARE RATED 130°C OR BETTER.



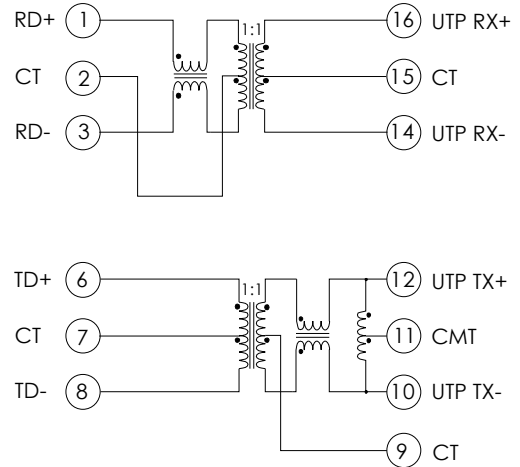
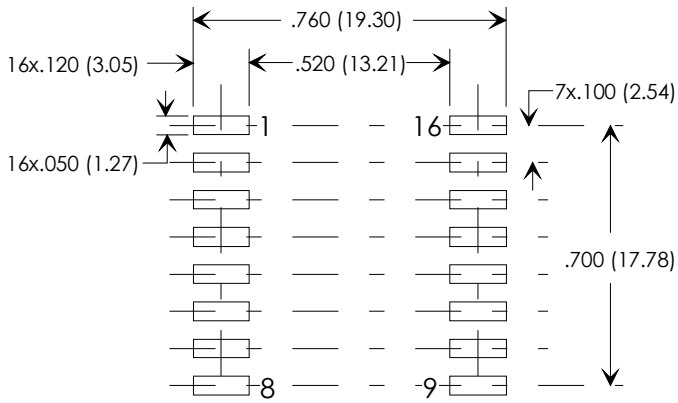
10/100 Base-TX ISOLATION TRANSFORMERS WITH FILTERS

PM-8536 MECHANICAL

PM-8536 SCHEMATIC

RECOMMENDED P.C.B. LAYOUT

Dimensions in inches (mm)

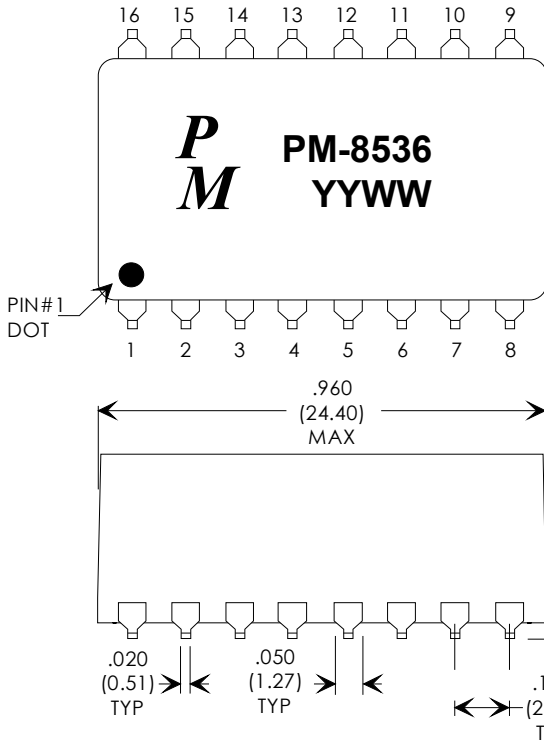


PM-8536
100BASE-TX MAGNETICS

P
M PM-8536
YYWW

P

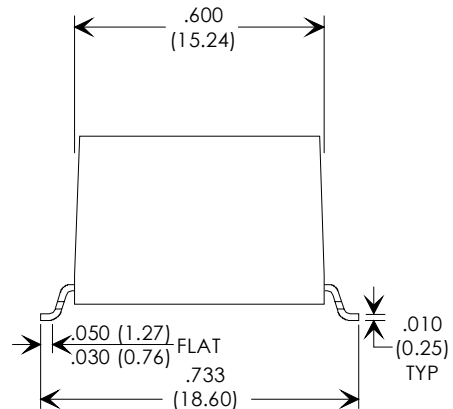
PHYSICAL DIMENSIONS IN INCHES (mm)



NOTE1:

REINFORCED INSULATION SYSTEM (UL1950, CSA-950, IEC950):

- A) ALL MATERIALS MEET "UL", "CSA" & "IEC" REQUIREMENTS
- B) MEET UL 94-VO FOR FLAMABILITY.
- C) ALL MATERIALS ARE RATED 130°C OR BETTER.



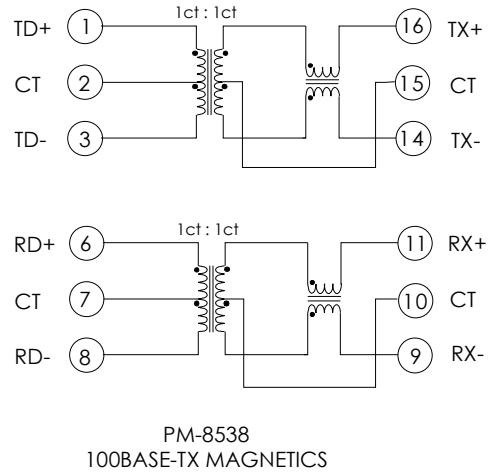
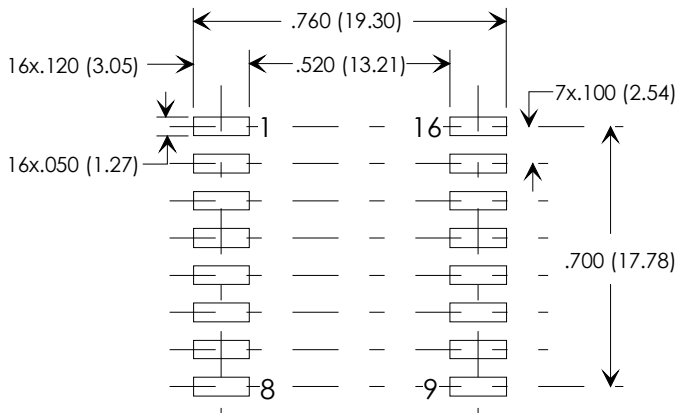
10/100 Base-TX ISOLATION TRANSFORMERS WITH FILTERS

PM-8538 / 8540

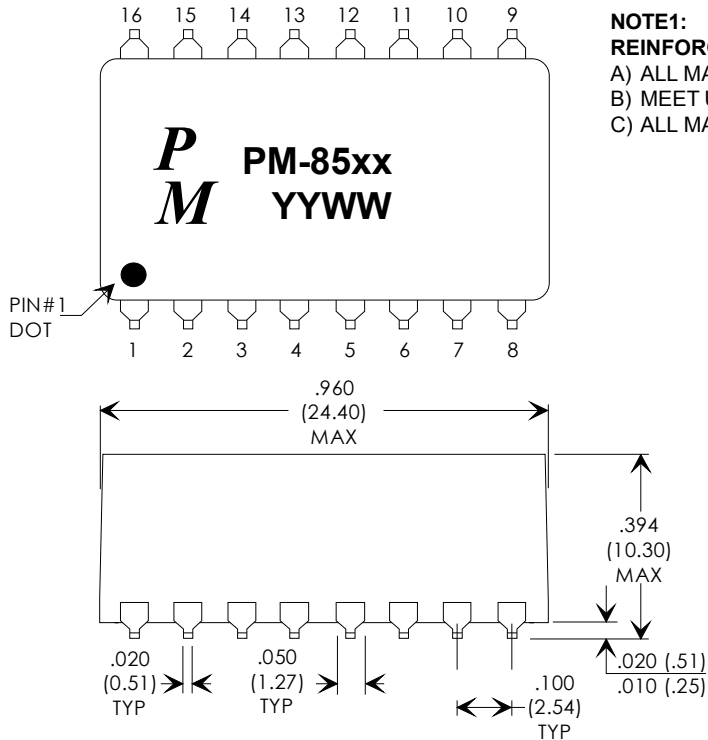
PM-8538 / 8540

RECOMMENDED P.C.B. LAYOUT

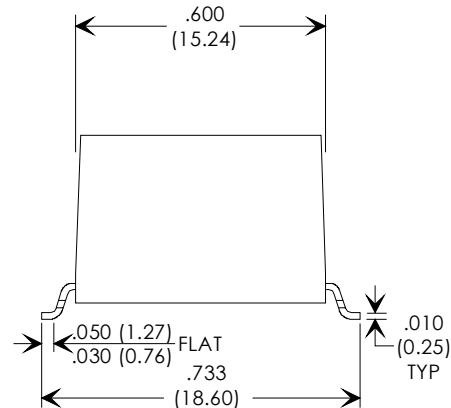
Dimensions in inches (mm)



PHYSICAL DIMENSIONS IN INCHES (mm)



NOTE1:
REINFORCED INSULATION SYSTEM (UL1950, CSA-950, IEC950):
A) ALL MATERIALS MEET "UL", "CSA" & "IEC" REQUIREMENTS
B) MEET UL 94-VO FOR FLAMABILITY.
C) ALL MATERIALS ARE RATED 130°C OR BETTER.



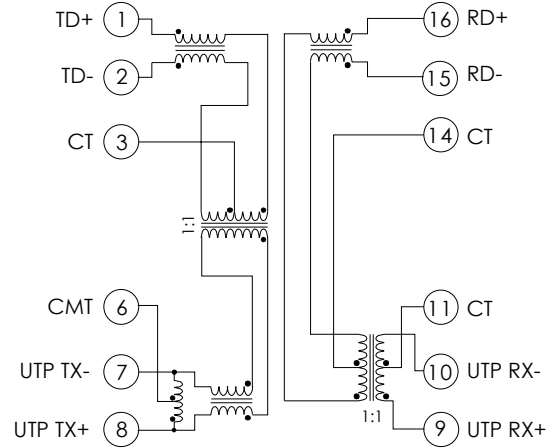
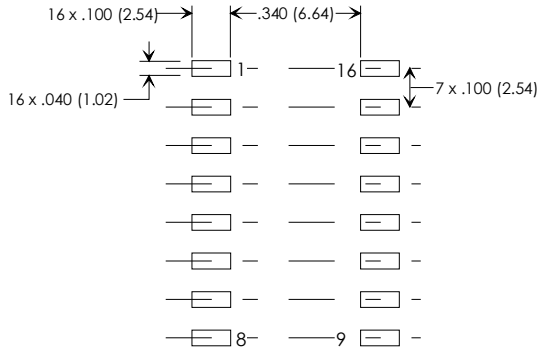
10/100 Base-TX ISOLATION TRANSFORMERS WITH FILTERS

PM-8517 MECHANICAL

PM-8517 SCHEMATIC

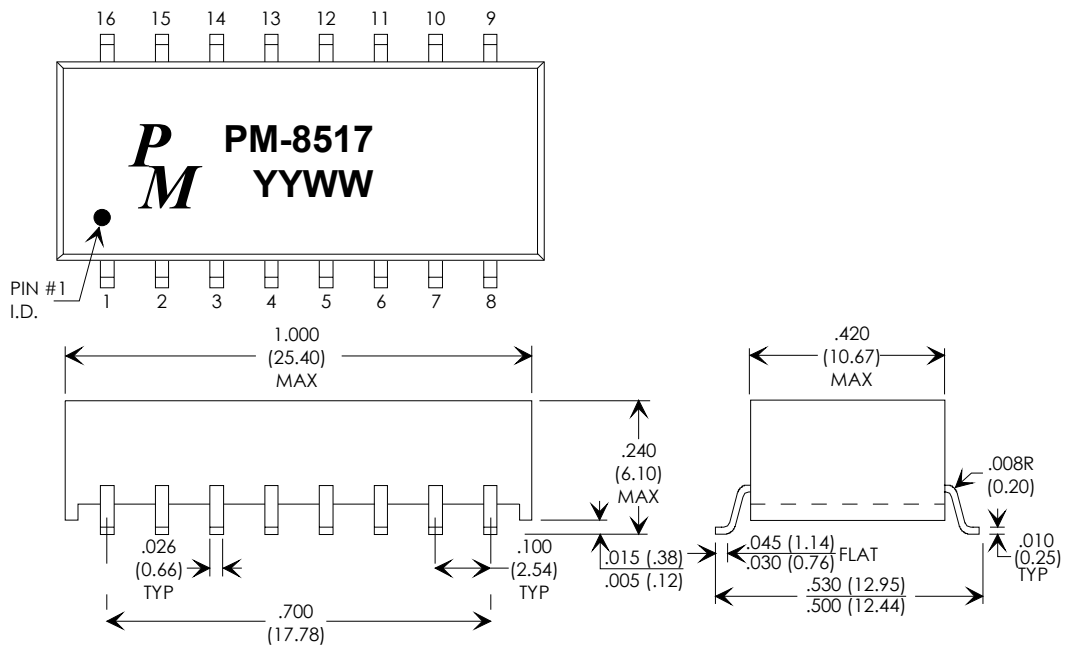
RECOMMENDED P.C.B. LAYOUT

Dimensions in inches (mm)



PM-8517
100BASE-TX MAGNETICS

PHYSICAL DIMENSIONS IN INCHES (mm)



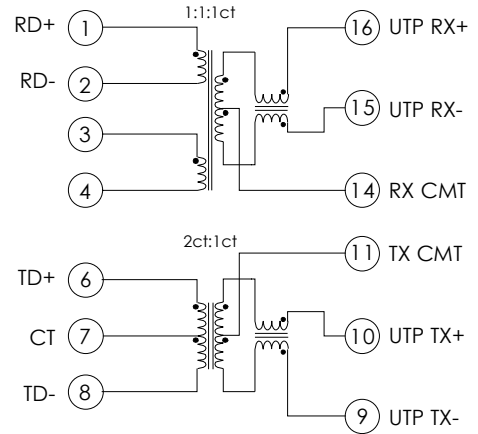
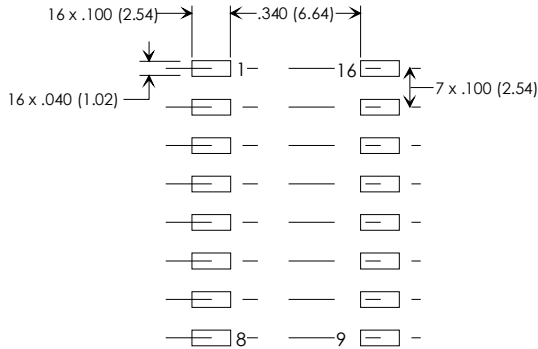
10/100 Base-TX ISOLATION TRANSFORMERS WITH FILTERS

PM-8529 MECHANICAL

PM-8529 SCHEMATIC

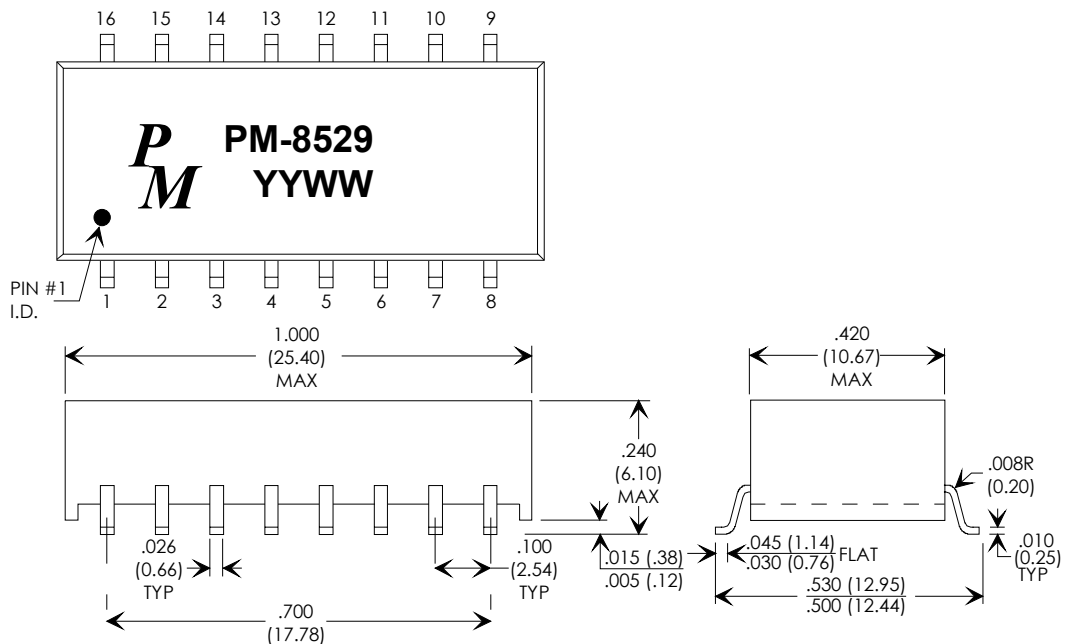
RECOMMENDED P.C.B. LAYOUT

Dimensions in inches (mm)



PM-8529
10/100BASE-TX MAGNETICS

PHYSICAL DIMENSIONS IN INCHES (mm)



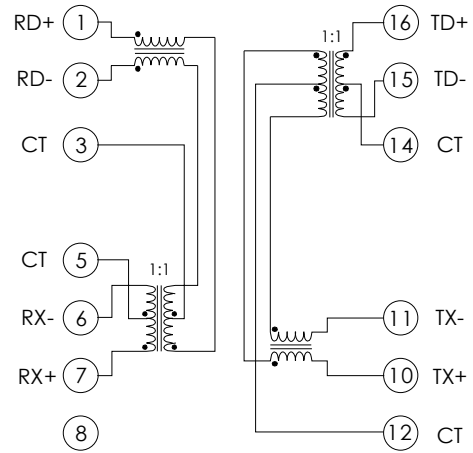
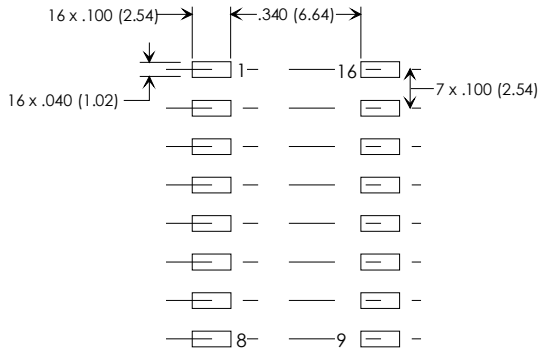
REF IC:
MICRO LINEAR ML6692
SEEQ 80220

10/100 Base-TX ISOLATION TRANSFORMERS WITH FILTERS

PM-8589 MECHANICAL

PM-8589 SCHEMATIC

RECOMMENDED P.C.B. LAYOUT Dimensions in inches (mm)



PM-8589
100BASE-TX MAGNETICS

PHYSICAL DIMENSIONS IN INCHES (mm)

