



MIL-STD-1553 / MIL-PRF-21038
DATABUS INTERFACE TRANSFORMERS
LOW PROFILE SINGLE/DUAL
ADD "+" ON P/N FOR RoHS COMPLIANCE

- * Designed to Meet MIL-STD-1553 A/B & MIL-PRF-21038
- * Common Mode Rejection (CMR) Greater Than 45dB
- * Impedance Test Frequency from 75Khz to 1MHz
- * Droop Less Than 20%
- * Overshoot & Ringing ±1V Max
- * Pulse Width 2 μS
- * **For Non-RoHS**, reflow process must not cause the peak body temperature of the device to exceed 225°C and must not expose the device to temperature above 183°C for more than 90 seconds.
- * **For RoHS (+)**, reflow process must not cause the peak body temperature of the device to exceed 245°C and must not expose the device to temperature above 217°C for more than 150 seconds.

ELECTRICAL SPECIFICATIONS AT 25°C

| PART NUMBER | TERMINALS / RATIO (±3%) | | TERMINALS / RATIO (±3%) | | DCR (Ohms Max.) | IMPEDANCE (Ohms MIN.) | SCHEMATICS / PACKAGE |
|-------------|-------------------------|----------|-------------------------|--------|------------------|-----------------------|----------------------|
| | | | | | | | |
| PM-DB2701 | 1-3:4-8 | 1:1 | 1-3:5-7 | 1:.707 | 1-3=3.0, 4-8=3.0 | 4000 | 1/A |
| PM-DB2701EX | 1-3:4-8 | 1:1 | 1-3:5-7 | 1:.707 | 1-3=3.0, 4-8=3.0 | 4000 | 1/G |
| PM-DB2702 | 1-3:4-8 | 1.4:1 | 1-3:5-7 | 2:1 | 1-3=3.5, 4-8=3.0 | 7200 | 1/A |
| PM-DB2703 | 1-3:4-8 | 1.25 : 1 | 1-3:5-7 | 1.66:1 | 1-3=3.2, 4-8=3.0 | 4000 | 1/A |
| PM-DB2704 | 4-8:1-3 | 2.3:1 | 5-7:1-3 | 3.2:1 | 1-3=1.2, 4-8=3.0 | 3000 | 4/A |
| PM-DB2705 | 1-2:4-3 | 1:1.41 | --- | --- | 1-2=2.2, 3-4=2.7 | 3000 | 3/C |
| PM-DB2705EX | 1-2:3-4 | 1:1.41 | --- | --- | 1-2=2.2, 3-4=2.7 | 3000 | 5/F |
| PM-DB2706 | 1-5:6-2 | 1:1 | --- | --- | 1-5=2.5, 6-2=2.8 | 3000 | 2/B |
| PM-DB2707 | 1-5:6-2 | 1:1.41 | --- | --- | 1-5=2.2, 6-2=2.7 | 3000 | 2/B |
| PM-DB2708 | 1-5:6-2 | 1:1.66 | --- | --- | 1-5=1.5, 6-2=2.4 | 3000 | 2/B |
| PM-DB2709 | 1-5:6-2 | 1:2 | --- | --- | 1-5=1.3, 6-2=2.6 | 3000 | 2/B |
| PM-DB2710 | 1-3:4-8 | 1:2.12 | 1-3:5-7 | 1:1.5 | 1-3=1.0, 4-8=3.5 | 4000 | 1/A |
| PM-DB2711 | 1-3:4-8 | 1:1 | 1-3:5-7 | 1:.707 | 1-3=3.0, 4-8=3.0 | 4000 | 1/D |
| PM-DB2712 | 1-3:4-8 | 1.4:1 | 1-3:5-7 | 2:1 | 1-3=3.5, 4-8=3.0 | 7200 | 1/D |
| PM-DB2713 | 1-3:4-8 | 1.25:1 | 1-3:5-7 | 1.66:1 | 1-3=3.2, 4-8=3.0 | 4000 | 1/D |
| PM-DB2714 | 4-8:1-3 | 2.3:1 | 5-7:1-3 | 3.2:1 | 1-3=1.2, 4-8=3.0 | 3000 | 4/D |
| PM-DB2715 | 1-3:4-8 | 1:2.12 | 1-3:5-7 | 1:1.5 | 1-3=1.0, 4-8=3.5 | 4000 | 1/D |
| PM-DB2716 | 1-3:4-8 | 1:1 | 1-3:5-7 | 1:.707 | 1-3=3.0, 4-8=3.0 | 4000 | 1/E |
| PM-DB2717 | 1-3:4-8 | 1.41:1 | 1-3:5-7 | 2:1 | 1-3=3.5, 4-8=3.0 | 7200 | 1/E |
| PM-DB2718 | 1-3:4-8 | 1.25:1 | 1-3:5-7 | 1.66:1 | 1-3=3.2, 4-8=3.0 | 4000 | 1/E |
| PM-DB2719 | 4-8:1-3 | 2.3:1 | 5-7:1-3 | 3.2:1 | 1-3=1.2, 4-8=3.0 | 3000 | 1/E |
| PM-DB2720 | 1-3:4-8 | 1:2.12 | 1-3:5-7 | 1:1.5 | 1-3=1.0, 4-8=3.5 | 3000 | 1/E |
| PM-DB2721 | 1-3:4-8 | 1:1 | 1-3:5-7 | 1:.707 | 1-3=3.0, 4-8=3.0 | 4000 | 1/A |
| PM-DB2722 | 1-3:4-8 | 1.41:1 | 1-3:5-7 | 2:1 | 1-3=3.5, 4-8=3.0 | 7200 | 1/A |
| PM-DB2723 | 1-3:4-8 | 1.25:1 | 1-3:5-7 | 1.66:1 | 1-3=3.2, 4-8=3.0 | 4000 | 1/A |
| PM-DB2724 | 1-3:4-8 | 1:2.12 | 1-3:5-7 | 1:1.5 | 1-3=1.0, 4-8=3.5 | 4000 | 1/A |
| PM-DB2725 | 1-3:4-8 | 1:2.5 | 1-3:5-7 | 1:1.79 | 1-3=1.0, 4-8=3.5 | 4000 | 1/A |
| PM-DB2725R | 1-3:4-8 | 1:2.5 | 1-3:5-7 | 1:1.79 | 1-3=1.0, 4-8=3.5 | 4000 | 16/AD |
| PM-DB2725EX | 1-3:4-8 | 1:2.5 | 1-3:5-7 | 1:1.79 | 1-3=1.0, 4-8=3.5 | 4000 | 1/G |
| PM-DB2726 | 1-3:4-8 | 1:2.5 | 1-3:5-7 | 1:1.79 | 1-3=1.0, 4-8=3.5 | 4000 | 1/A |
| PM-DB2727 | 1-3:4-8 | 1:2.5 | 1-3:5-7 | 1:1.79 | 1-3=1.0, 4-8=3.5 | 4000 | 1/D |
| PM-DB2728 | 1-5:6-2 | 1:1.5 | --- | --- | 1-5=0.9, 6-2=2.5 | 3000 | 2/B |
| PM-DB2729 | 1-5:6-2 | 1:1.79 | --- | --- | 1-5=0.9, 6-2=2.5 | 3000 | 2/B |
| PM-DB2730 | 1-5:6-2 | 1:2.5 | --- | --- | 1-5=1.0, 6-2=2.8 | 3000 | 2/B |
| PM-DB2731 | 1-3:4-8 | 1:2.5 | 1-3:5-7 | 1:1.79 | 1-3=1.0, 4-8=3.5 | 4000 | 1/E |
| PM-DB2755 | 1-3:4-8 | 1:3.75 | 1-3:5-7 | 1:2.70 | 1-3=1.0, 4-8=4.0 | 4000 | 1/G |

Specifications subject to change without notice.



MIL-STD-1553 / MIL-PRF-21038
DATABUS INTERFACE TRANSFORMERS
LOW PROFILE SINGLE/DUAL
ADD "+" ON P/N FOR RoHS COMPLIANCE

| PART NUMBER | TERMINALS / RATIO (±3%) | | TERMINALS / RATIO (±3%) | | DCR (Ohms Max.) | IMPEDANCE (Ohms MIN.) | SCHEMATICS / PACKAGE |
|---------------|-------------------------|--------|-------------------------|---------|----------------------|-----------------------|----------------------|
| | | | | | | | |
| PM-DB2759 (1) | 1-5:6-2 | 1:1.79 | - | - | 1-5=0.9, 6-2=2.5 | 3000 | 2/U |
| PM-DB2760 (1) | 1-5:6-2 | 1:2.5 | - | - | 1-5=1.0, 6-2=2.8 | 3000 | 2/U |
| PM-DB2785S | 1-3:16-13 | 1:2.5 | 1-3:15-14 | 1:1.79 | 1-3=1.0, 16-13=3.5 | 4000 | 6/S |
| | 5-7:12-9 | 1:2.5 | 5-7:11-10 | 1:1.79 | 5-7=1.0, 12-9=3.5 | 4000 | |
| PM-DB2790T | 1-3:7-5 | 1:2.7 | - | - | 1-3=0.25, 5-7=2.0 | 2000 | 18/A |
| PM-DB2701F | 1-3:4-8 | 1:1 | 1-3:5-7 | 1:0.707 | 1-3=3.0, 4-8=3.0 | 4000 | 1/A |
| PM-DB2702F | 1-3:4-8 | 1.41:1 | 1-3:5-7 | 2:1 | 1-3=3.5, 4-8=3.0 | 7200 | 1/A |
| PM-DB2703F | 1-3:4-8 | 1.25:1 | 1-3:5-7 | 1.66:1 | 1-3=3.2, 4-8=3.0 | 4000 | 1/A |
| PM-DB2705F | 1-2:4-3 | 1:1.41 | - | - | 1-2=2.2, 3-4=2.7 | 3000 | 3/C |
| PM-DB2710F | 4-8:1-3 | 2.12:1 | 5-7:1-3 | 1.5:1 | 1-3=1.0, 4-8=3.5 | 4000 | 1/A |
| PM-DB2725F | 1-3:4-8 | 1:2.5 | 1-3:5-7 | 1:1.79 | 1-3=1.0, 4-8=3.5 | 4000 | 1/A |
| PM-DB2793T | 1-3:7-5 | 1:2.5 | - | - | 1-3=0.25, 5-7=2.0 | 2000 | 18/A |
| | | | | | | | |
| PM-DB27016 | 1-4:2-5 | 1:1 | 2-5:3-6 | 1:1 | 1-4=2-5=3-6=3.5 | - | - |
| PM-DB27100 | 1-3:4-8 | 1:2.5 | 1-3:5-7 | 1:1.79 | 1-3=1.0, 4-8=3.5 | 4000 | 1/M |
| PM-DB27101 | 1-3:4-8 | 1:2.5 | 1-3:5-7 | 1:1.79 | 1-3=1.0, 4-8=3.5 | 4000 | 1/W |
| PM-DB27200 | 1-3:16-13 | 1:2.5 | 1-3:15-14 | 1:1.79 | 1-3=1.0, 16-13=3.5 | 4000 | 6/T |
| | 5-7:12-9 | 1:2.5 | 5-7:11-10 | 1:1.79 | 5-7=1.0, 12-9=3.5 | 4000 | |
| PM-DB27255 | 1-3:16-13 | 1:2.5 | 1-3:15-14 | 1:1.79 | 1-3=1.0, 16-13=3.5 | 4000 | 6/X |
| | 5-7:12-9 | 1:2.5 | 5-7:11-10 | 1:1.79 | 5-7=1.0, 12-9=3.5 | 4000 | |
| PM-DB27438 | 1-3:4-8 | 1:2.50 | 1-3:5-7 | 1:1.79 | 1-3=3.5, 4-8=4.0 | 3000 | 7/AE |
| | 11-13:14-18 | 1:2.50 | 11-13:15-17 | 1:1.79 | 11-13=3.5, 14-18=4.0 | | |

(1) OPERATING TEMPERATURE RANGE FROM -40C TO +130C

| PART NUMBER | TERMINALS / RATIO (±3%) | | TERMINALS / RATIO (±3%) | | DCR (Ohms Max.) | IMPEDANCE (Ohms MIN.) | IMPEDANCE (Ohms MIN.) | SCHEMATICS / PACKAGE |
|-------------|-------------------------|--------|-------------------------|--------|-------------------|-----------------------|-----------------------|----------------------|
| | | | | | | 75kHz-249kHz | 250kHz-1MHz | |
| PM-DB2790S | 1-3:4-8 | 1:3.75 | - | - | 1-3=.25, 4-8=3.0 | 4000 | 4000 | 9/V |
| PM-DB2791S | 1-3:4-8 | 1:2.5 | - | - | 1-3=1.5, 4-8=3.0 | 3000 | 4000 | 9/V |
| PM-DB2792S | 1-3:5-7 | 1:2.7 | - | - | 1-3=.25, 5-7=2.0 | 2000 | 3000 | 10/V |
| PM-DB2793S | 1-3:5-7 | 1:2.5 | - | - | 1-3=.25, 5-7=2.0 | 2000 | 3000 | 10/V |
| PM-DB2794S | 1-3:5-7 | 1:2.65 | - | - | 1-3=.29, 5-7=1.1 | 2000 | 4000 | 10/V |
| PM-DB2795S | 1-3:5-7 | 1:1.79 | - | - | 1-3=1.5, 5-7=2.5 | 2000 | 4000 | 10/V |
| PM-DB2798S | 1-3:4-8 | 1:2.5 | 1-3:5-7 | 1:1.79 | 1-3=2.0, 4-8=3.5 | 4000 | 4000 | 11/V |
| | | | | | | | | |
| PM-DB27150 | 1-3:7-5 | 1:2.07 | - | - | 1-3=0.29, 7-5=1.1 | 2000 | 4000 | 18/A |
| PM-DB27304 | 1-3:5-7 | 1:1.79 | - | - | 1-3=1.5, 5-7=2.5 | 3000 | 4000 | 10/V |
| | | | | | | | | |
| PM-DB27501S | 1-3:4-8 | 1:2.65 | 1-3:4-6 | 1:2.07 | 1-3=2.0, 4-8=3.5 | 1000 | 2000 | 11/AF |
| PM-DB27502S | 1-3:4-8 | 1:2.12 | 1-3:4-6 | 1:1.5 | 1-3=2.0, 4-8=3.5 | 800 | 1500 | 11/AF |
| PM-DB27503S | 1-3:4-8 | 1:2.5 | 1-3:4-6 | 1:1.79 | 1-3=2.0, 4-8=3.5 | 800 | 1500 | 11/AF |



MIL-STD-1553 / MIL-PRF-21038
DATABUS INTERFACE TRANSFORMERS
LOW PROFILE SINGLE/DUAL
ADD "+" ON P/N FOR RoHS COMPLIANCE

LOW PROFILE SINGLE CORE HT = 0.155"

| PART NUMBER | TERMINALS / RATIO (± 3%) | | TERMINALS / RATIO (± 3%) | | DCR (Ohms Max.) | IMPEDANCE (Ohms MIN.) | SCHEMATICS / PACKAGE |
|-------------|--------------------------|--------|--------------------------|--------|------------------|-----------------------|----------------------|
| | 1-3:4-8 | 1:1 | 1-3:5-7 | 1:707 | | | |
| PM-DB2741 | 1-3:4-8 | 1:1 | 1-3:5-7 | 1:707 | 1-3=3.0, 4-8=3.0 | 4000 | 1/K |
| PM-DB2742 | 1-3:4-8 | 1.4:1 | 1-3:5-7 | 2:1 | 1-3=3.5, 4-8=3.0 | 7200 | 1/K |
| PM-DB2743 | 1-3:4-8 | 1.25:1 | 1-3:5-7 | 1.66:1 | 1-3=3.2, 4-8=3.0 | 4000 | 1/K |
| PM-DB2744 | 1-3:4-8 | 1:2.12 | 1-3:5-7 | 1:1.5 | 1-3=1.0, 4-8=3.5 | 4000 | 1/K |
| PM-DB2745 | 1-3:4-8 | 1:2.5 | 1-3:5-7 | 1:1.79 | 1-3=1.0, 4-8=3.5 | 4000 | 1/K |
| | | | | | | | |

| PART NUMBER | TERMINALS / RATIO (± 3%) | | TERMINALS / RATIO (± 3%) | | DCR (Ohms Max.) | IMPEDANCE (Ohms MIN.) | SCHEMATICS / PACKAGE |
|-------------|--------------------------|--------|--------------------------|--------|------------------|-----------------------|----------------------|
| | 1-3:4-8 | 1:1 | 1-3:5-7 | 1:707 | | | |
| PM-DB2741L | 1-3:4-8 | 1:1 | 1-3:5-7 | 1:707 | 1-3=3.0, 4-8=3.0 | 4000 | 1/L |
| PM-DB2742L | 1-3:4-8 | 1.4:1 | 1-3:5-7 | 2:1 | 1-3=3.5, 4-8=3.0 | 7200 | 1/L |
| PM-DB2743L | 1-3:4-8 | 1.25:1 | 1-3:5-7 | 1.66:1 | 1-3=3.2, 4-8=3.0 | 4000 | 1/L |
| PM-DB2744L | 1-3:4-8 | 1:2.12 | 1-3:5-7 | 1:1.5 | 1-3=1.0, 4-8=3.5 | 4000 | 1/L |
| PM-DB2745L | 1-3:4-8 | 1:2.5 | 1-3:5-7 | 1:1.79 | 1-3=1.0, 4-8=3.5 | 4000 | 1/L |
| | | | | | | | |

| PART NUMBER | TERMINALS / RATIO (± 3%) | | TERMINALS / RATIO (± 3%) | | DCR (Ohms Max.) | IMPEDANCE (Ohms MIN.) | SCHEMATICS / PACKAGE |
|-------------|--------------------------|--------|--------------------------|--------|------------------|-----------------------|----------------------|
| | 1-3:4-8 | 1:1 | 1-3:5-7 | 1:707 | | | |
| PM-DB2741M | 1-3:4-8 | 1:1 | 1-3:5-7 | 1:707 | 1-3=3.0, 4-8=3.0 | 4000 | 1/M |
| PM-DB2742M | 1-3:4-8 | 1.4:1 | 1-3:5-7 | 2:1 | 1-3=3.5, 4-8=3.0 | 7200 | 1/M |
| PM-DB2743M | 1-3:4-8 | 1.25:1 | 1-3:5-7 | 1.66:1 | 1-3=3.2, 4-8=3.0 | 4000 | 1/M |
| PM-DB2744M | 1-3:4-8 | 1:2.12 | 1-3:5-7 | 1:1.5 | 1-3=1.0, 4-8=3.5 | 4000 | 1/M |
| PM-DB2745M | 1-3:4-8 | 1:2.5 | 1-3:5-7 | 1:1.79 | 1-3=1.0, 4-8=3.5 | 4000 | 1/M |
| | | | | | | | |

| PART NUMBER | TERMINALS / RATIO (± 3%) | | TERMINALS / RATIO (± 3%) | | DCR (Ohms Max.) | IMPEDANCE (Ohms MIN.) | SCHEMATICS / PACKAGE |
|-------------|--------------------------|--------|--------------------------|--------|------------------|-----------------------|----------------------|
| | 1-3:4-8 | 1:1 | 1-3:5-7 | 1:707 | | | |
| PM-DB2741N | 1-3:4-8 | 1:1 | 1-3:5-7 | 1:707 | 1-3=3.0, 4-8=3.0 | 4000 | 1/N |
| PM-DB2742N | 1-3:4-8 | 1.4:1 | 1-3:5-7 | 2:1 | 1-3=3.5, 4-8=3.0 | 7200 | 1/N |
| PM-DB2743N | 1-3:4-8 | 1.25:1 | 1-3:5-7 | 1.66:1 | 1-3=3.2, 4-8=3.0 | 4000 | 1/N |
| PM-DB2744N | 1-3:4-8 | 1:2.12 | 1-3:5-7 | 1:1.5 | 1-3=1.0, 4-8=3.5 | 4000 | 1/N |
| PM-DB2745N | 1-3:4-8 | 1:2.5 | 1-3:5-7 | 1:1.79 | 1-3=1.0, 4-8=3.5 | 4000 | 1/N |
| | | | | | | | |

Specifications subject to change without notice.

06/2018



**MIL-STD-1553 / MIL-PRF-21038
 DATABUS INTERFACE TRANSFORMERS
 LOW PROFILE SINGLE/DUAL
 ADD "+" ON P/N FOR RoHS COMPLIANCE**

LOW PROFILE DUAL CORE HT = 0.155"

| PART NUMBER | TERMINALS / RATIO (± 3%) | | TERMINALS / RATIO (± 3%) | | DCR (Ohms Max.) | IMPEDANCE (Ohms MIN.) | SCHEMATICS / PACKAGE |
|-------------|--------------------------|--------|--------------------------|--------|--------------------|-----------------------|----------------------|
| | | | | | | | |
| PM-DB2741D | 1-3:16-13 | 1:1 | 1-3:15-14 | 1:.707 | 1-3=3.0, 16-13=3.0 | 4000 | 6/R |
| | 5-7:12-9 | 1:1 | 5-7:11-10 | 1:.707 | | | |
| PM-DB2742D | 1-3:16-13 | 1.4:1 | 1-3:15-14 | 2:1 | 1-3=3.5, 16-13=3.0 | 7200 | 6/R |
| | 5-7:12-9 | 1.4:1 | 5-7:11-10 | 2:1 | | | |
| PM-DB2743D | 1-3:16-13 | 1.25:1 | 1-3:15-14 | 1.66:1 | 1-3=3.2, 16-13=3.0 | 4000 | 6/R |
| | 5-7:12-9 | 1.25:1 | 5-7:11-10 | 1.66:1 | | | |
| PM-DB2744D | 1-3:16-13 | 1:2.12 | 1-3:15-14 | 1:1.5 | 1-3=1.0, 16-13=3.1 | 4000 | 6/R |
| | 5-7:12-9 | 1:2.12 | 5-7:11-10 | 1:1.5 | | | |
| PM-DB2745D | 1-3:16-13 | 1:2.5 | 1-3:15-14 | 1:1.79 | 1-3=1.0, 16-13=3.5 | 4000 | 6/R |
| | 5-7:12-9 | 1:2.5 | 5-7:11-10 | 1:1.79 | | | |

| PART NUMBER | TERMINALS / RATIO (± 3%) | | TERMINALS / RATIO (± 3%) | | DCR (Ohms Max.) | IMPEDANCE (Ohms MIN.) | SCHEMATICS / PACKAGE |
|-------------|--------------------------|--------|--------------------------|--------|--------------------|-----------------------|----------------------|
| | | | | | | | |
| PM-DB2741S | 1-3:16-13 | 1:1 | 1-3:15-14 | 1:.707 | 1-3=3.0, 16-13=3.0 | 4000 | 6/S |
| | 5-7:12-9 | 1:1 | 5-7:11-10 | 1:.707 | | | |
| PM-DB2742S | 1-3:16-13 | 1.4:1 | 1-3:15-14 | 2:1 | 1-3=3.5, 16-13=3.0 | 7200 | 6/S |
| | 5-7:12-9 | 1.4:1 | 5-7:11-10 | 2:1 | | | |
| PM-DB2743S | 1-3:16-13 | 1.25:1 | 1-3:15-14 | 1.66:1 | 1-3=3.2, 16-13=3.0 | 4000 | 6/S |
| | 5-7:12-9 | 1.25:1 | 5-7:11-10 | 1.66:1 | | | |
| PM-DB2744S | 1-3:16-13 | 1:2.12 | 1-3:15-14 | 1:1.5 | 1-3=1.0, 16-13=3.1 | 4000 | 6/S |
| | 5-7:12-9 | 1:2.12 | 5-7:11-10 | 1:1.5 | | | |
| PM-DB2745S | 1-3:16-13 | 1:2.5 | 1-3:15-14 | 1:1.79 | 1-3=1.0, 16-13=3.5 | 4000 | 6/S |
| | 5-7:12-9 | 1:2.5 | 5-7:11-10 | 1:1.79 | | | |



**MIL-STD-1553 / MIL-PRF-21038
DATABUS INTERFACE TRANSFORMERS
LOW PROFILE SINGLE/DUAL
ADD "+" ON P/N FOR RoHS COMPLIANCE**

LOW PROFILE DUAL CORE HT = 0.155"

| PART NUMBER | TERMINALS / RATIO (± 3%) | | TERMINALS / RATIO (± 3%) | | DCR (Ohms Max.) | IMPEDANCE (Ohms MIN.) | SCHEMATICS / PACKAGE |
|-------------|--------------------------|--------|--------------------------|--------|--------------------|-----------------------|----------------------|
| | | | | | | | |
| PM-DB2741T | 1-3:16-13 | 1:1 | 1-3:15-14 | 1:.707 | 1-3=3.0, 16-13=3.0 | 4000 | 6/T |
| | 5-7:12-9 | 1:1 | 5-7:11-10 | 1:.707 | 5-7=3.0, 12-9=3.0 | 4000 | |
| PM-DB2742T | 1-3:16-13 | 1.4:1 | 1-3:15-14 | 2:1 | 1-3=3.5, 16-13=3.0 | 7200 | 6/T |
| | 5-7:12-9 | 1.4:1 | 5-7:11-10 | 2:1 | 5-7=3.5, 12-9=3.0 | 7200 | |
| PM-DB2743T | 1-3:16-13 | 1.25:1 | 1-3:15-14 | 1.66:1 | 1-3=3.2, 16-13=3.0 | 4000 | 6/T |
| | 5-7:12-9 | 1.25:1 | 5-7:11-10 | 1.66:1 | 5-7=3.2, 12-9=3.0 | 4000 | |
| PM-DB2744T | 1-3:16-13 | 1:2.12 | 1-3:15-14 | 1:1.5 | 1-3=1.0, 16-13=3.1 | 4000 | 6/T |
| | 5-7:12-9 | 1:2.12 | 5-7:11-10 | 1:1.5 | 5-7=1.0, 12-9=3.1 | 4000 | |
| PM-DB2745T | 1-3:16-13 | 1:2.5 | 1-3:15-14 | 1:1.79 | 1-3=1.0, 16-13=3.5 | 4000 | 6/T |
| | 5-7:12-9 | 1:2.5 | 5-7:11-10 | 1:1.79 | 5-7=1.0, 12-9=3.5 | 4000 | |

DUAL CORE HT = 0.250"

| PART NUMBER | TERMINALS / RATIO (± 3%) | | TERMINALS / RATIO (± 3%) | | DCR (Ohms Max.) | IMPEDANCE (Ohms MIN.) | SCHEMATICS / PACKAGE |
|-------------|--------------------------|--------|--------------------------|---------|-------------------|-----------------------|----------------------|
| | | | | | | | |
| PM-DB27401 | 1-3:4-8 | 2:5 | 1-3:5-7 | 4:7 | 1-3=3.5 11-13=3.5 | 3000 | 7/H (.250) |
| | 11-13:14-18 | 2:5 | 11-13:15-17 | 4:7 | 4-8=3.0 14-18=3.0 | 3000 | |
| PM-DB27402 | 1-3:4-8 | 1:0.83 | 1-3:5-7 | 1:0.6 | 1-3=3.0 11-13=3.0 | 3000 | 7/H (.250) |
| | 11-13:14-18 | 1:0.83 | 11-13:15-17 | 1:0.6 | 4-8=3.0 14-18=3.0 | 3000 | |
| PM-DB27403 | 1-3:4-8 | 1.4:1 | 1-3:5-7 | 2:1 | 1-3=3.5 11-13=3.5 | 7200 | 7/H (.250) |
| | 11-13:14-18 | 1.4:1 | 11-13:15-17 | 2:1 | 4-8=3.0 14-18=3.0 | 7200 | |
| PM-DB27404 | 1-3:4-8 | 1:1 | 1-3:5-7 | 1:0.707 | 1-3=3.0 11-13=3.0 | 4000 | 7/H (.250) |
| | 11-13:14-18 | 1:1 | 11-13:15-17 | 1:0.707 | 4-8=3.0 14-18=3.0 | 4000 | |
| PM-DB27405 | 1-3:4-8 | 1.25:1 | 1-3:5-7 | 1.66:1 | 1-3=3.2 11-13=3.2 | 4000 | 7/H (.250) |
| | 11-13:14-18 | 1.25:1 | 11-13:15-17 | 1.66:1 | 4-8=3.0 14-18=3.0 | 4000 | |
| PM-DB27406 | 4-8:1-3 | 2.3:1 | 5-7:1-3 | 3.2:1 | 1-3=1.2 11-13=1.2 | 3000 | 8/H (.250) |
| | 14-18:11-13 | 2.3:1 | 15-17:11-13 | 3.2:1 | 5-7=3.0 15-17=3.0 | 3000 | |
| PM-DB27407 | 4-8:1-3 | 2.12:1 | 5-7:1-3 | 1.5:1 | 1-3=1.1 11-13=1.1 | 4000 | 7/H (.250) |
| | 14-18:11-13 | 2.12:1 | 15-17:11-13 | 1.5:1 | 4-8=3.0 14-18=3.0 | 4000 | |
| PM-DB27408 | 1-3:4-8 | 1:2.5 | 1-3:5-7 | 1:1.79 | 1-3=1.0 11-13=1.0 | 4000 | 7/H (.250) |
| | 11-13:14-18 | 1:2.5 | 11-13:15-17 | 1:1.79 | 4-8=3.5 14-18=3.5 | 4000 | |

Specifications subject to change without notice.

06/2018



MIL-STD-1553 / MIL-PRF-21038
DATABUS INTERFACE TRANSFORMERS
LOW PROFILE SINGLE/DUAL
ADD "+" ON P/N FOR RoHS COMPLIANCE

DUAL CORE HT = 0.280"

| PART NUMBER | TERMINALS / RATIO (± 3%) | | TERMINALS / RATIO (± 3%) | | DCR (Ohms Max.) | Risetime (ns Max.) | IMPEDANCE (Ohms MIN.) | SCHEMATICS / PACKAGE |
|-------------|--------------------------|--------|--------------------------|---------|-------------------|--------------------|-----------------------|----------------------|
| | | | | | | | | |
| PM-DB27421 | 1-3:4-8 | 2:5 | 1-3:5-7 | 4:7 | 1-3=3.5 11-13=3.5 | 150 | 3000 | 7/H (.280) |
| | 11-13:14-18 | 2:5 | 11-13:15-17 | 4:7 | 4-8=3.0 14-18=3.0 | 150 | 3000 | |
| PM-DB27422 | 1-3:4-8 | 1:0.83 | 1-3:5-7 | 1:0.6 | 1-3=3.0 11-13=3.0 | 150 | 3000 | 7/H (.280) |
| | 11-13:14-18 | 1:0.83 | 11-13:15-17 | 1:0.6 | 4-8=3.0 14-18=3.0 | 150 | 3000 | |
| PM-DB27423 | 1-3:4-8 | 1.4:1 | 1-3:5-7 | 2:1 | 1-3=3.5 11-13=3.5 | 150 | 7200 | 7/H (.280) |
| | 11-13:14-18 | 1.4:1 | 11-13:15-17 | 2:1 | 4-8=3.0 14-18=3.0 | 150 | 7200 | |
| PM-DB27424 | 1-3:4-8 | 1:1 | 1-3:5-7 | 1:0.707 | 1-3=3.0 11-13=3.0 | 150 | 4000 | 7/H (.280) |
| | 11-13:14-18 | 1:1 | 11-13:15-17 | 1:0.707 | 4-8=3.0 14-18=3.0 | 150 | 4000 | |
| PM-DB27425 | 1-3:4-8 | 1.25:1 | 1-3:5-7 | 1.66:1 | 1-3=3.2 11-13=3.2 | 150 | 4000 | 7/H (.280) |
| | 11-13:14-18 | 1.25:1 | 11-13:15-17 | 1.66:1 | 4-8=3.0 14-18=3.0 | 150 | 4000 | |
| PM-DB27426 | 4-8:1-3 | 2.3:1 | 5-7:1-3 | 3.2:1 | 1-3=1.2 11-13=1.2 | 150 | 3000 | 8/H (.280) |
| | 14-18:11-13 | 2.3:1 | 15-17:11-13 | 3.2:1 | 5-7=3.0 15-17=3.0 | 150 | 3000 | |
| PM-DB27427 | 4-8:1-3 | 2.12:1 | 5-7:1-3 | 1.5:1 | 1-3=1.1 11-13=1.1 | 200 | 4000 | 7/H (.280) |
| | 14-18:11-13 | 2.12:1 | 15-17:11-13 | 1.5:1 | 4-8=3.0 14-18=3.0 | 200 | 4000 | |
| PM-DB27428 | 1-3:4-8 | 1:2.5 | 1-3:5-7 | 1:1.79 | 1-3=1.0 11-13=3.5 | 250 | 3000 | 7/H (.280) |
| | 11-13:14-18 | 1:2.5 | 11-13:15-17 | 1:1.79 | 4-8=3.5 14-18=4.0 | 250 | 3000 | |

DUAL CORE HT= 0.320"

| PART NUMBER | TERMINALS / RATIO (± 3%) | | TERMINALS / RATIO (± 3%) | | DCR (Ohms Max.) | IMPEDANCE (Ohms MIN.) | SCHEMATICS / PACKAGE |
|-------------|--------------------------|--------|--------------------------|---------|-------------------|-----------------------|----------------------|
| | | | | | | | |
| PM-DB27411 | 1-3:4-8 | 2:5 | 1-3:5-7 | 4:7 | 1-3=3.5 11-13=3.5 | 3000 | 7/H (.320) |
| | 11-13:14-18 | 2:5 | 11-13:15-17 | 4:7 | 4-8=3.0 14-18=3.0 | 3000 | |
| PM-DB27412 | 1-3:4-8 | 1:0.83 | 1-3:5-7 | 1:0.6 | 1-3=3.0 11-13=3.0 | 3000 | 7/H (.320) |
| | 11-13:14-18 | 1:0.83 | 11-13:15-17 | 1:0.6 | 4-8=3.0 14-18=3.0 | 3000 | |
| PM-DB27413 | 1-3:4-8 | 1.4:1 | 1-3:5-7 | 2:1 | 1-3=3.5 11-13=3.5 | 7200 | 7/H (.320) |
| | 11-13:14-18 | 1.4:1 | 11-13:15-17 | 2:1 | 4-8=3.0 14-18=3.0 | 7200 | |
| PM-DB27414 | 1-3:4-8 | 1:1 | 1-3:5-7 | 1:0.707 | 1-3=3.0 11-13=3.0 | 4000 | 7/H (.320) |
| | 11-13:14-18 | 1:1 | 11-13:15-17 | 1:0.707 | 4-8=3.0 14-18=3.0 | 4000 | |
| PM-DB27415 | 1-3:4-8 | 1.25:1 | 1-3:5-7 | 1.66:1 | 1-3=3.2 11-13=3.2 | 4000 | 7/H (.320) |
| | 11-13:14-18 | 1.25:1 | 11-13:15-17 | 1.66:1 | 4-8=3.0 14-18=3.0 | 4000 | |
| PM-DB27416 | 4-8:1-3 | 2.3:1 | 5-7:1-3 | 3.2:1 | 1-3=1.2 11-13=1.2 | 3000 | 8/H (.320) |
| | 14-18:11-13 | 2.3:1 | 15-17:11-13 | 3.2:1 | 5-7=3.0 15-17=3.0 | 3000 | |
| PM-DB27417 | 4-8:1-3 | 2.12:1 | 5-7:1-3 | 1.5:1 | 1-3=1.1 11-13=1.1 | 4000 | 7/H (.320) |
| | 14-18:11-13 | 2.12:1 | 15-17:11-13 | 1.5:1 | 4-8=3.0 14-18=3.0 | 4000 | |
| PM-DB27418 | 1-3:4-8 | 1:2.5 | 1-3:5-7 | 1:1.79 | 1-3=1.0 11-13=1.0 | 4000 | 7/H (.320) |
| | 11-13:14-18 | 1:2.5 | 11-13:15-17 | 1:1.79 | 4-8=3.5 14-18=3.5 | 4000 | |

Specifications subject to change without notice.

06/2018



**MIL-STD-1553 / MIL-PRF-21038
 DATABUS INTERFACE TRANSFORMERS
 LOW PROFILE SINGLE/DUAL
 ADD "+" ON P/N FOR RoHS COMPLIANCE**

DUAL CORE 0.93 X 0.575

| PART NUMBER | TURNS RATIO (± 3%) | TERMINALS | | DCR (Ohms Max.) | | IMPEDANCE (Ohms MIN.) | SCHEMATICS / PACKAGE |
|-------------|-----------------------|-----------|--------------|--------------------|-----------|--------------------------|-------------------------|
| | | PRIMARY | SECONDARY | PRIMARY | SECONDARY | | |
| PM-DB2750 | 1 : 2.70 | 1-3, 6-8 | 15-14, 11-10 | .25 | 2.0 | 2000 | 13 / AB |
| PM-DB2751 | 1 : 3.75 | 1-3, 6-8 | 15-14, 11-10 | .25 | 3.0 | 4000 | 13 / AB |
| PM-DB2752 | 1 : 2.70 | 1-3, 6-8 | 16-13, 12-9 | .25 | 2.0 | 2000 | 14 / AB |
| PM-DB2753 | 1 : 3.75 | 1-3, 6-8 | 16-13, 12-9 | .25 | 3.0 | 4000 | 14 / AB |
| PM-DB2754 | 1 : 2.07 | 1-3, 6-8 | 15-14, 11-10 | .29 | .82 | 2000 | 13 / AB |
| PM-DB2756 | 1 : 2.50 | 1-3, 6-8 | 15-14, 11-10 | .25 | 2.0 | 2000 | 13 / AB |

DUAL CORE HT=0.320"

| PART NUMBER | TURNS RATIO (± 3%) | TERMINALS | | DCR (Ohms Max.) | | IMPEDANCE (Ohms MIN.) | | SCHEMATICS / PACKAGE |
|-------------|-----------------------|-----------|-----------|--------------------|-----------|--------------------------|---------------|-------------------------|
| | | PRIMARY | SECONDARY | PRIMARY | SECONDARY | 75KHZ-249KHZ | 250KHZ - 1MHZ | |
| PM-DB2761 | 1 : 3.75 | 1-2, 4-5 | 10-9, 7-6 | 0.3 | 3.0 | 4000 | 4000 | 12 / AA |
| PM-DB2762 | 1 : 2.50 | 1-2, 4-5 | 10-9, 7-6 | 1.5 | 3.5 | 3000 | 4000 | 12 / AA |
| PM-DB2763 | 1.25 : 1 | 1-2, 4-5 | 10-9, 7-6 | 2.4 | 1.5 | 3000 | 4000 | 12 / AA |
| PM-DB2764 | 1.41 : 1 | 1-2, 4-5 | 10-9, 7-6 | 2.7 | 2.2 | 5000 | 7200 | 12 / AA |
| PM-DB2765 | 1 : 2.70 | 1-2, 4-5 | 10-9, 7-6 | 0.5 | 2.0 | 2000 | 3000 | 12 / AA |
| PM-DB2766 | 1 : 1.79 | 1-2, 4-5 | 10-9, 7-6 | 1.5 | 2.5 | 2000 | 4000 | 12 / AA |
| PM-DB2767 | 1.66 : 1 | 1-2, 4-5 | 10-9, 7-6 | 2.4 | 1.5 | 3000 | 4000 | 12 / AA |
| PM-DB2768 | 2.00 : 1 | 1-2, 4-5 | 10-9, 7-6 | 2.6 | 1.3 | 5000 | 7200 | 12 / AA |
| PM-DB2769 | 1 : 2.038 | 1-2, 4-5 | 10-9, 7-6 | 0.7 | 2.0 | 2000 | 3000 | 12 / AA |
| PM-DB2770 | 1 : 2.65 | 1-2, 4-5 | 10-9, 7-6 | 0.5 | 2.0 | 2000 | 4000 | 12 / AA |
| PM-DB2771 | 1 : 2.07 | 1-2, 4-5 | 10-9, 7-6 | 0.3 | 1.1 | 2000 | 4000 | 12 / AA |

LOW PROFILE DUAL CORE HT= 0.185"

| PART NUMBER | TERMINALS / RATIO (± 3%) | | TERMINALS / RATIO (± 3%) | | DCR (Ohms Max.) | IMPEDANCE (Ohms MIN.) | | SCHEMATICS / PACKAGE |
|-------------|--------------------------|--------------|--------------------------|--------------|--------------------|--------------------------|-------------|-------------------------|
| | TERMINALS | RATIO (± 3%) | TERMINALS | RATIO (± 3%) | | 75KHz-149KHz | 150KHz-1MHz | |
| PM-DB2775 | 1-3:16-13 | 1:3.75 | 1-3:15-14 | 1:2.70 | 1-3,6-8 = 0.35 | 3000 | 4000 | 15/AC |
| | 6-8:12-9 | 1:3.75 | 6-8:11-10 | 1:2.70 | 16-13,12-9 = 3.0 | | | |
| PM-DB2776 | 1-3:16-13 | 1:2.5 | 1-3:15-14 | 1:1.79 | 1-3,6-8 = 1.0 | 3000 | 4000 | 15/AC |
| | 6-8:12-9 | 1:2.5 | 6-8:11-10 | 1:1.79 | 16-13,12-9 = 3.5 | | | |
| PM-DB2777 | 1-3:16-13 | 1.25:1 | 1-3:15-14 | 1.66:1 | 1-3,6-8 = 3.2 | 3000 | 4000 | 15/AC |
| | 6-8:12-9 | 1.25:1 | 6-8:11-10 | 1.66:1 | 16-13,12-9 = 3.0 | | | |
| PM-DB2778 | 1-3:16-13 | 1.4:1 | 1-3:15-14 | 2:1 | 1-3,6-8 = 3.5 | 5000 | 7200 | 15/AC |
| | 6-8:12-9 | 1.4:1 | 6-8:11-10 | 2:1 | 16-13,12-9 = 3.0 | | | |
| PM-DB2779 | 1-3:16-13 | 1:2.65 | 1-3:15-14 | 1:2.07 | 1-3,6-8 = 0.29 | 2000 | 4000 | 15/AC |
| | 6-8:12-9 | 1:2.65 | 6-8:11-10 | 1:2.07 | 16-13,12-9 = 1.1 | | | |
| PM-DB2780 | 1-3:16-13 | 1:2.5 | 6-8:12-9 | 1:2.5 | 1-3=0.35, 6-8=0.35 | 3000 | 4000 | 19/AB |
| | 6-8:12-9 | 1:2.5 | 6-8:11-10 | 1:2.5 | 16-13=3.0,12-9=3.0 | | | |

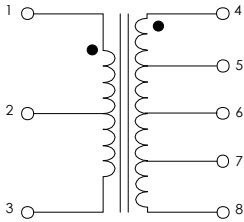
Specifications subject to change without notice.

06/2018

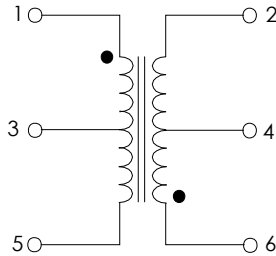
20381 BARENTS SEA CIRCLE, LAKE FOREST, CA 92630 ☎ TEL: (949) 452-0511 ☎ FAX: (949) 452-0512 ☎ <http://www.premiermag.com>

SCHEMATICS

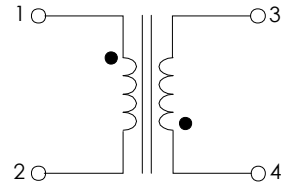
SCHEMATIC "1"



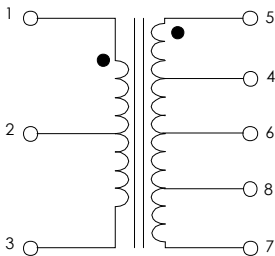
SCHEMATIC "2"



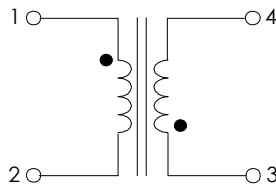
SCHEMATIC "3"



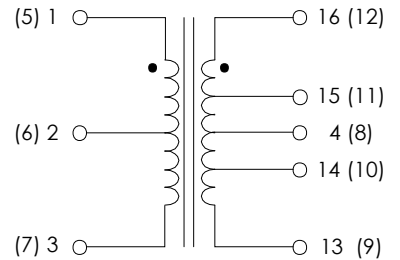
SCHEMATIC "4"



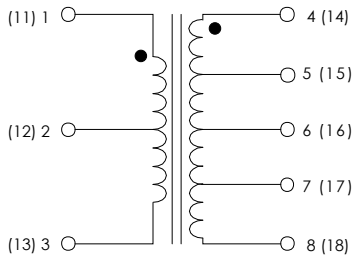
SCHEMATIC "5"



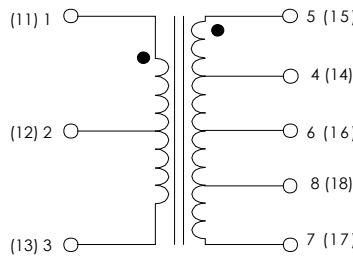
SCHEMATIC "6"



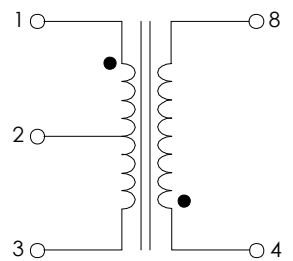
SCHEMATIC "7"



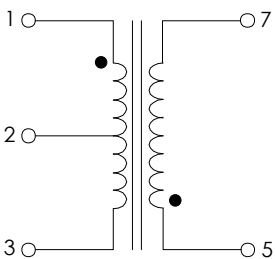
SCHEMATIC "8"



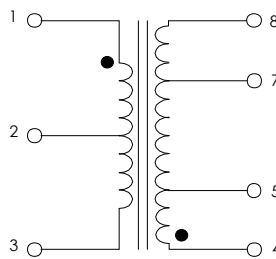
SCHEMATIC "9"



SCHEMATIC "10"

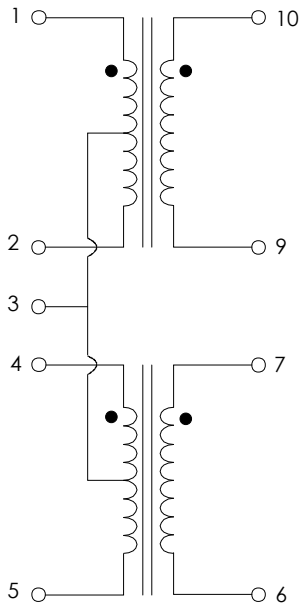


SCHEMATIC "11"

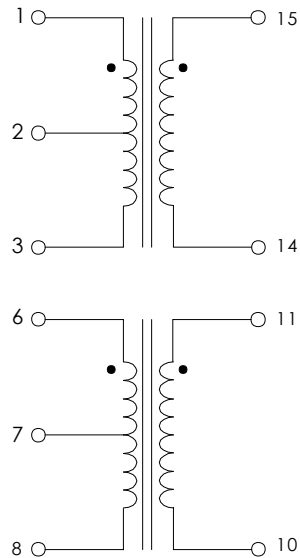


MIL-STD-1553 / MIL-PRF-21038
DATABUS INTERFACE TRANSFORMERS
LOW PROFILE SINGLE/DUAL
ADD "+" ON P/N FOR RoHS COMPLIANCE

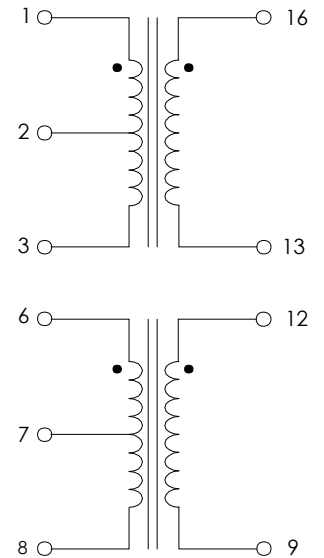
SCHEMATIC "12"



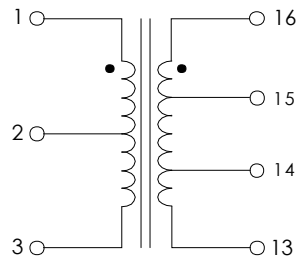
SCHEMATIC "13"



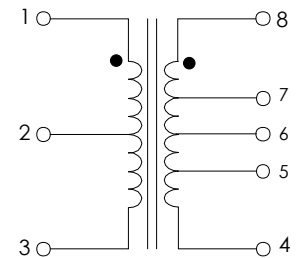
SCHEMATIC "14"



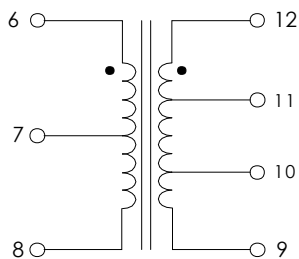
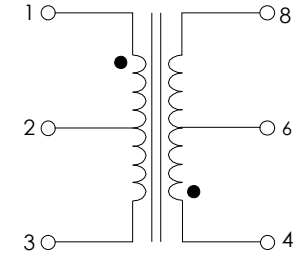
SCHEMATIC "15"



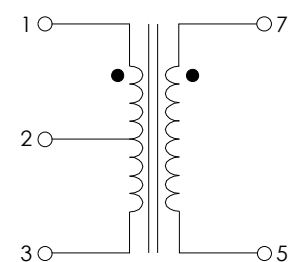
SCHEMATIC "16"



SCHEMATIC "17"

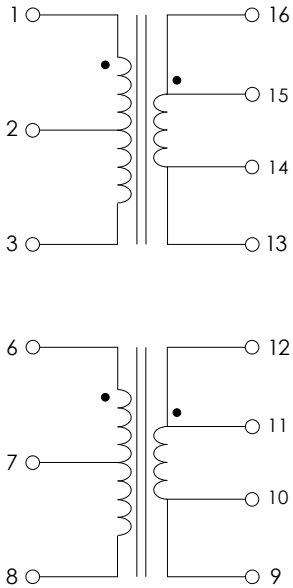


SCHEMATIC "18"



MIL-STD-1553 / MIL-PRF-21038
DATABUS INTERFACE TRANSFORMERS
LOW PROFILE SINGLE/DUAL
ADD "+" ON P/N FOR RoHS COMPLIANCE

SCHEMATIC "19"



MIL-STD-1553 / MIL-PRF-21038

DATABUS INTERFACE TRANSFORMERS

LOW PROFILE SINGLE/DUAL

ADD "+" ON P/N FOR RoHS COMPLIANCE

FIGURE #A

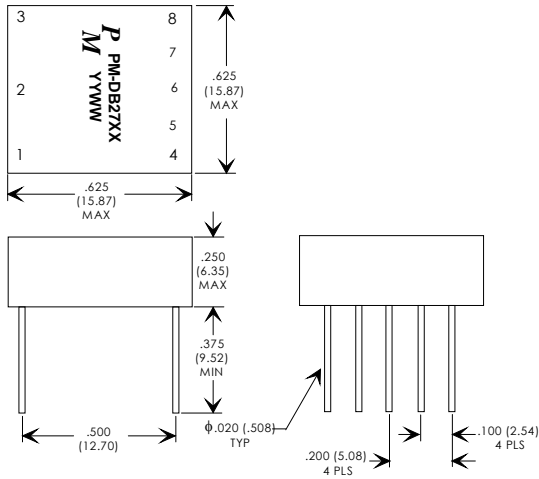


FIGURE #B

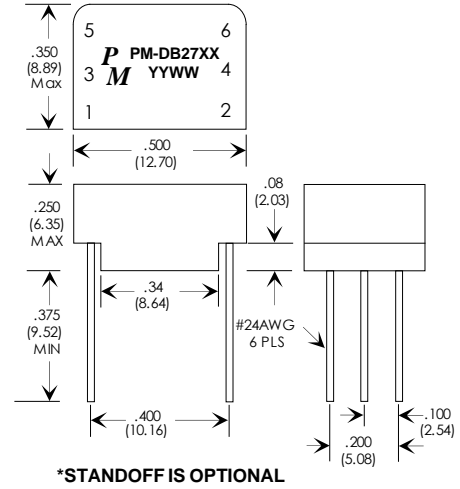


FIGURE #C

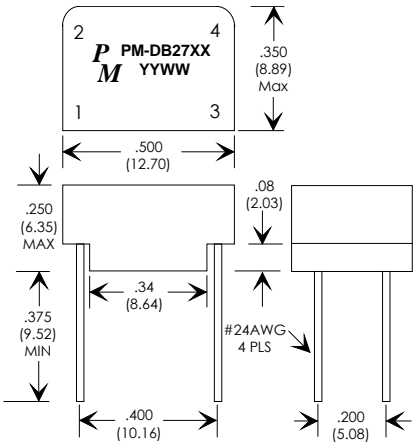


FIGURE #D

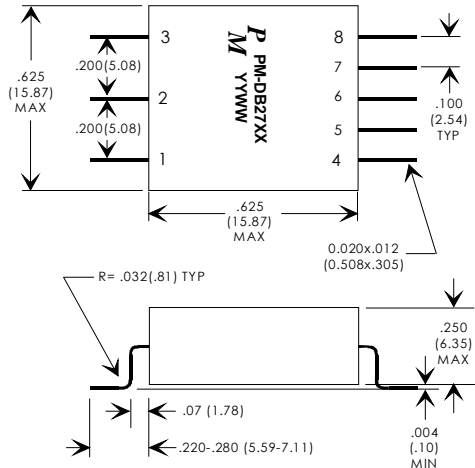


FIGURE #E

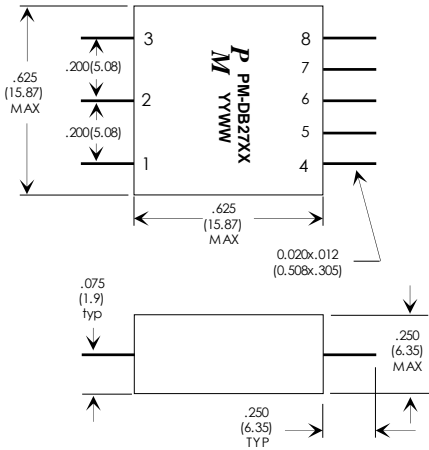
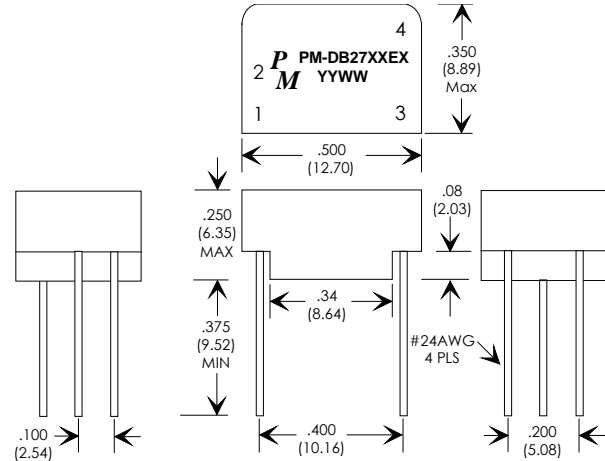


FIGURE #F



Specifications subject to change without notice.

*STANDOFF IS OPTIONAL

06/2018

MIL-STD-1553 / MIL-PRF-21038

DATABUS INTERFACE TRANSFORMERS

LOW PROFILE SINGLE/DUAL

ADD "+" ON P/N FOR RoHS COMPLIANCE

FIGURE #G

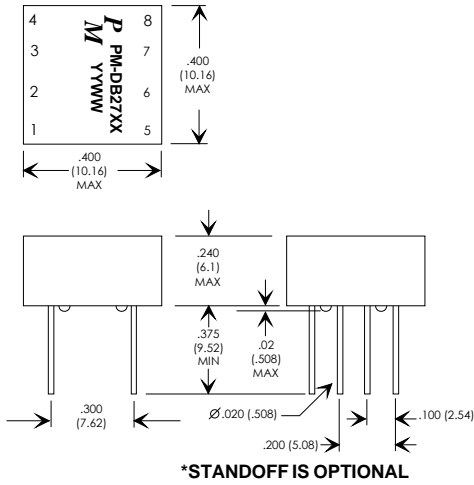


FIGURE #H

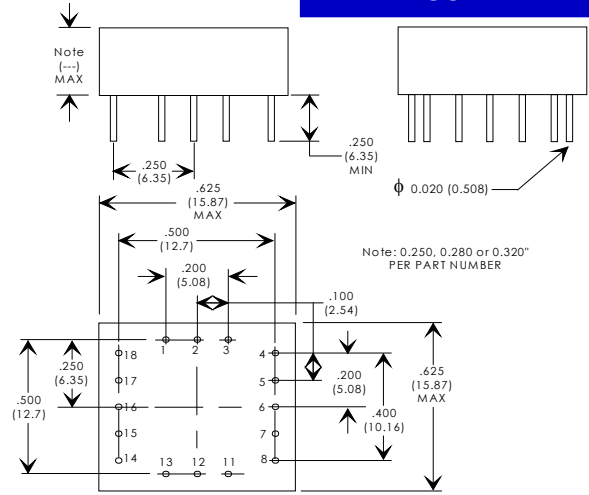


FIGURE #K

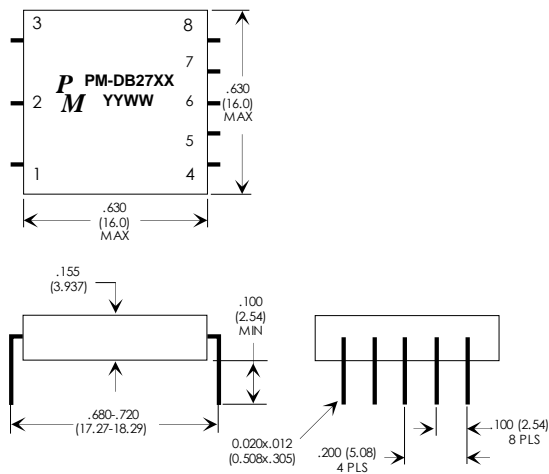


FIGURE #L

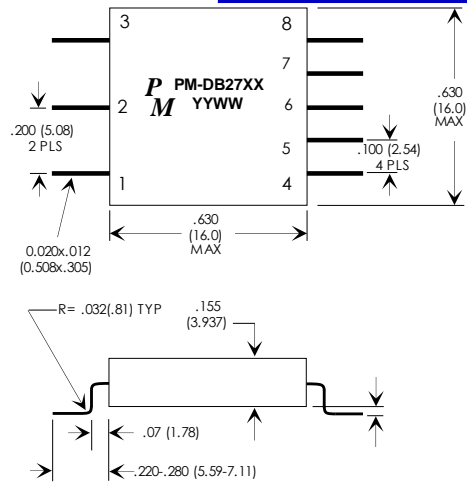


FIGURE #M

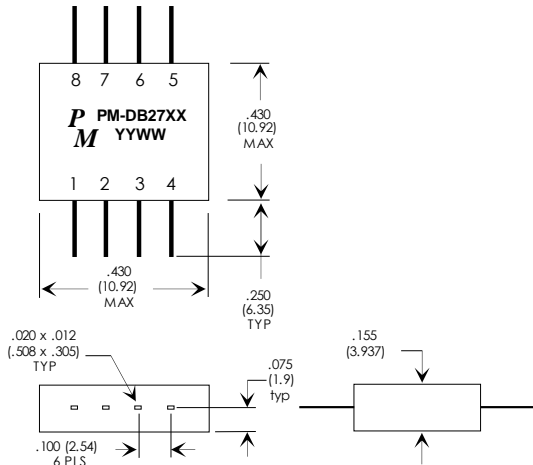
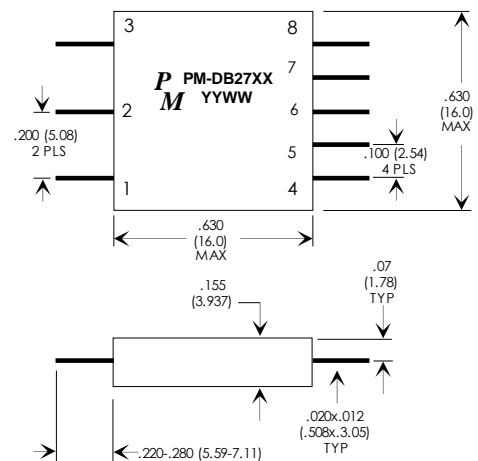


FIGURE #N



Specifications subject to change without notice.

06/2018

MIL-STD-1553 / MIL-PRF-21038

DATABUS INTERFACE TRANSFORMERS

LOW PROFILE SINGLE/DUAL

ADD "+" ON P/N FOR RoHS COMPLIANCE

FIGURE # R

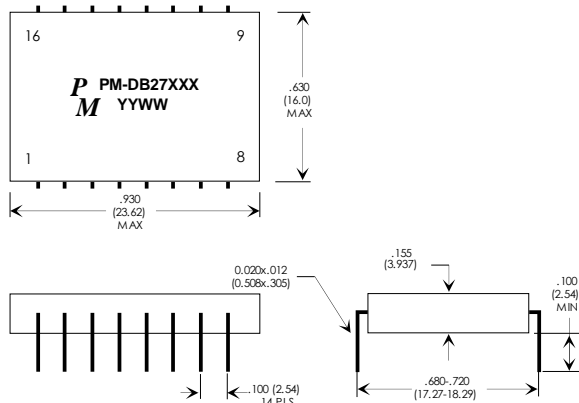


FIGURE # S

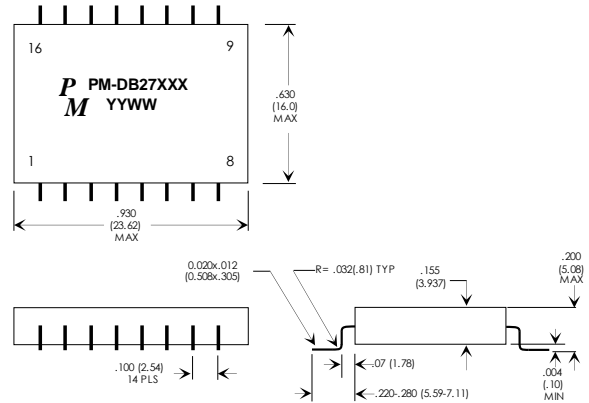


FIGURE # T

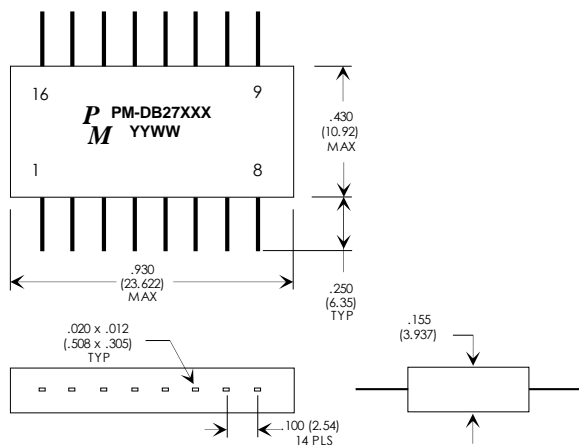


FIGURE # U

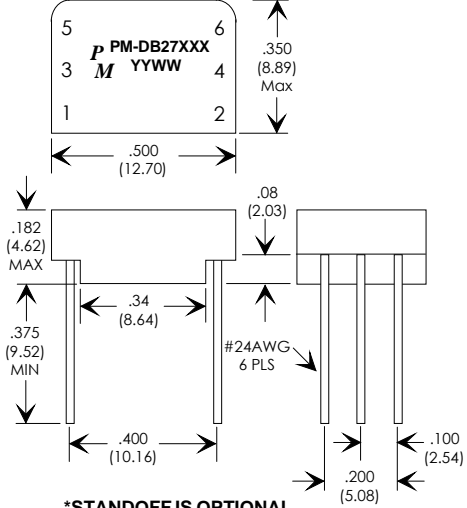


FIGURE # V

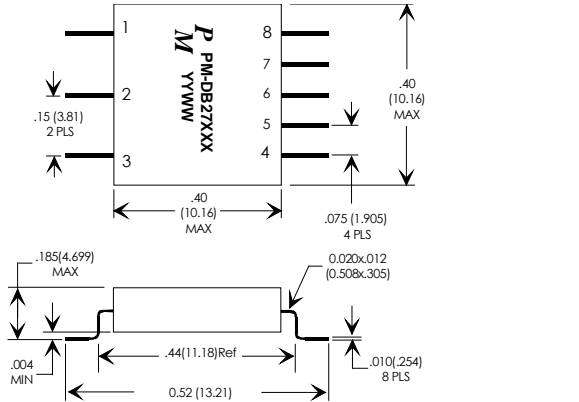
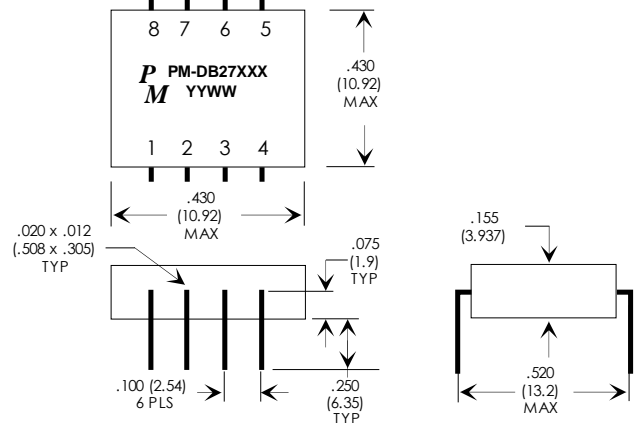


FIGURE # W



Specifications subject to change without notice.

06/2018

MIL-STD-1553 / MIL-PRF-21038

DATABUS INTERFACE TRANSFORMERS

LOW PROFILE SINGLE/DUAL

ADD "+" ON P/N FOR RoHS COMPLIANCE

FIGURE # X

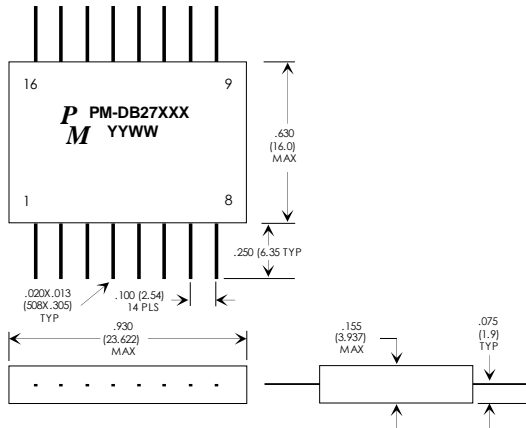


FIGURE # AA

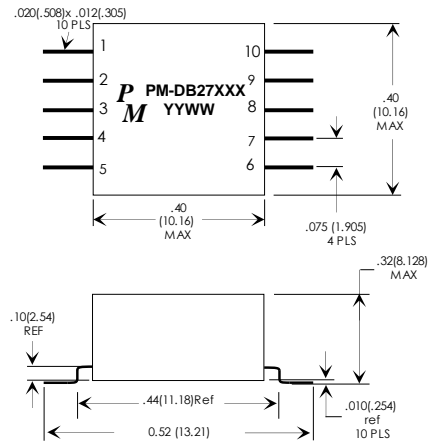


FIGURE # AB

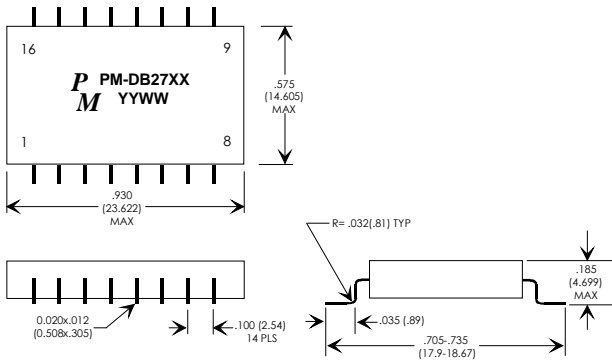


FIGURE # AC

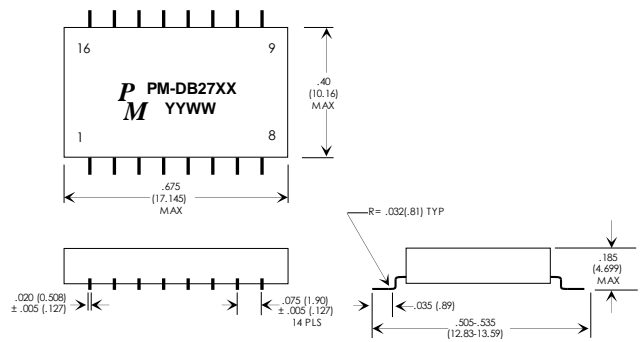
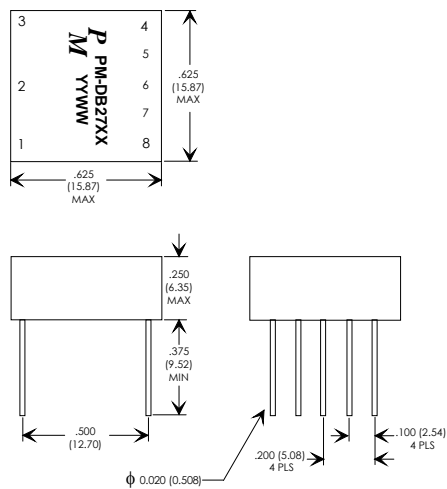


FIGURE # AD



***STANDOFF IS OPTIONAL**

Specifications subject to change without notice.

06/2018

MIL-STD-1553 / MIL-PRF-21038
DATABUS INTERFACE TRANSFORMERS
LOW PROFILE SINGLE/DUAL
ADD "+" ON P/N FOR RoHS COMPLIANCE

FIGURE # AE

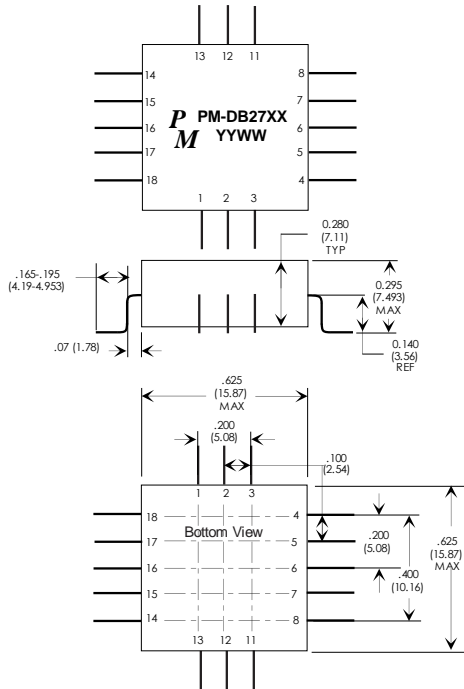
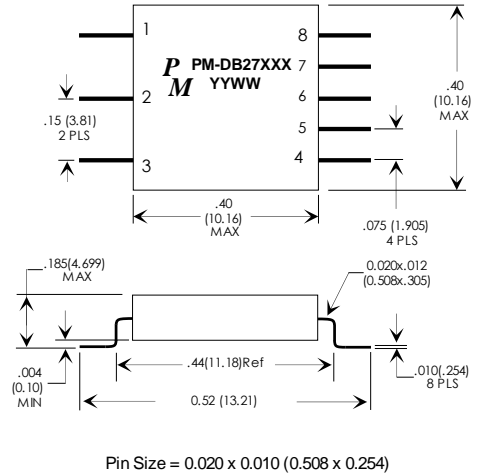


FIGURE # AF





**MIL-STD-1553 / MIL-PRF-21038
 DATABUS INTERFACE TRANSFORMERS
 LOW PROFILE SINGLE/DUAL
 ADD "+" ON P/N FOR RoHS COMPLIANCE**

CROSS REFERENCE LISTING

| <u>PREMIER PART#</u> | <u>X-REF NAME/PART#</u> | <u>PREMIER PART#</u> | <u>X-REF NAME/PART#</u> |
|----------------------|-------------------------|----------------------|-------------------------|
| | BETA | | BETA |
| PM-DB2701 | B-2202 | PM-DB2745L | LPB-5015 |
| PM-DB2702 | B-2203 | PM-DB2741L | LPB-5003 |
| PM-DB2703 | B-2204 | PM-DB2742L | LPB-5002 |
| PMDB-2704 | B-2205 | PM-DB2743L | LPB-5004 |
| PM-DB2705 | B-2206 | PM-DB2744L | LPB-5006 |
| PM-DB2706 | B-2207 | | |
| PM-DB2707 | B-2208 | PM-DB2745M | LPB-5014 |
| PM-DB2708 | B-2709 | PM-DB2741M | LPB-5010 |
| PM-DB2709 | B-2210 | PM-BD2742M | LPB-5009 |
| PM-DB2710 | B-2385 | PM-BD2743M | LPB-5011 |
| PM-DB2711 | B-2386 | PM-BD2744M | LPB-5013 |
| PM-DB2712 | B-2387 | | |
| PM-DB2713 | B-2388 | PM-DB2742D | TLP-1215 |
| PM-DB2714 | B2389 | PM-DB2743D | TLP-1212 |
| PM-DB2715 | B-2390 | PM-DB2745D | TLP-1205 |
| PM-DB2716 | B-2342 | | |
| PM-DB2717 | B-2343 | PM-DB2742S | TLP-1015 |
| PM-DB2718 | B-2344 | PM-DB2743S | TLP-1012 |
| PM-DB2719 | B-2345 | PM-DB2745S | TLP-1005 |
| PM-DB2720 | B-2391 | | |
| PM-DB2721 | B-3221 | PM-DB2742T | TLP-1115 |
| PM-DB2722 | B-3222 | PM-DB2743T | TLP-1112 |
| PM-DB2723 | B-3223 | PM-DB2745T | TLP-1105 |
| PM-DB2724 | B-3224 | | |
| PM-DB2725 | B-3225 | PM-DB2761 | TSM-2033 |
| PM-DB2725R | B3067 | PM-DB2762 | TSM-2005 |
| PM-DB2726 | B-3226 | PM-DB2763 | TSM-2012 |
| PM-DB2727 | B-3227 | PM-DB2764 | TSM-2015 |
| PM-DB2728 | B-3228 | PM-DB2765 | TSM-2233 |
| PM-DB2729 | B-3229 | PM-DB2766 | TSM-2205 |
| PM-DB2730 | B-3230 | PM-DB2767 | TSM-2212 |
| PM-DB2731 | B-3231 | PM-DB2768 | TSM-2215 |
| | | PM-DB2771 | TSM-2230 |
| PM-DB2775 | DSS-3333 | | |
| PM-DB2776 | DSS-3305 | + | |
| PM-DB2777 | DSS-3312 | | |
| PM-DB2792S | MPL-2233 | PM-DB2790T | LVD-4203 |
| PM-DB2794S | MPL-2230 | | |
| PM-DB27150 | LVB-4230 | | |

Specifications subject to change without notice.