

COMMON MODE LINE CHOKES

- 1 For High Frequency Power Supply Applications
- 3 Vertical Mount
- 2 1250 Vrms Isolation Voltage
- 4 Industry Standard Package

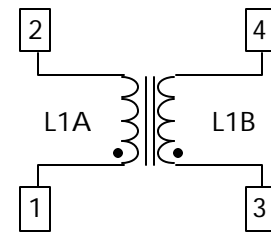
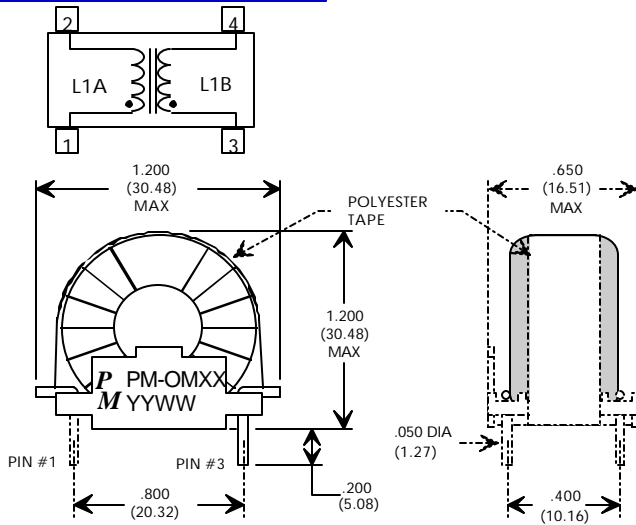
ELECTRICAL SPECIFICATIONS AT 25°C - OPERATING TEMPERATURE RANGE -40°C TO +85°C

PART NUMBER	RATED RMS Current Amps	Load VA @ RMS Line		INDUCTANCE @ 1KHz (mH Min.)	L ₁ @ 130KHz (mH Max.)	DCR EACH WINDING (Ohms Max.)	PACKAGE
		117V	220V				
PM-OM01	1.8	210	420	10.0	130	0.240	A
PM-OM02	3.5	400	800	3.0	35	0.060	A
PM-OM03	6.0	700	1400	1.0	12	0.020	A
PM-OM04	2.6	300	600	16.0	180	0.320	B
PM-OM05	3.2	375	750	8.0	90	0.120	B
PM-OM06	5.2	600	1200	4.0	45	0.040	B
PM-OM07	7.5	875	1750	2.0	25	0.020	B
PM-OM13	6.0	700	1400	1.0	12	0.020	C

PACKAGE "A"

Physical Dimensions in inches (mm)

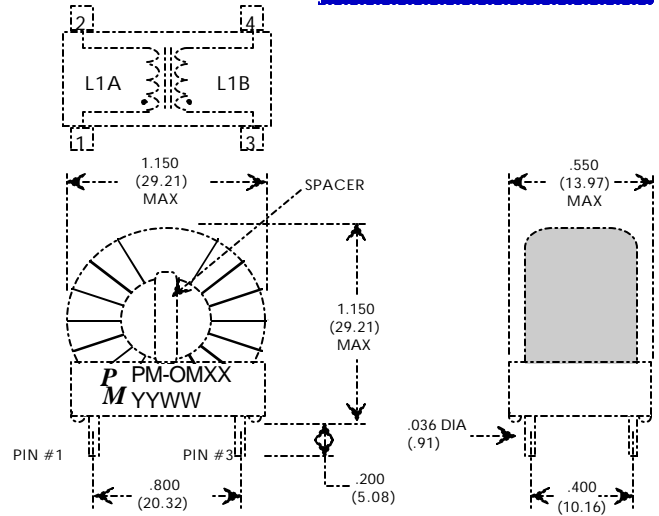
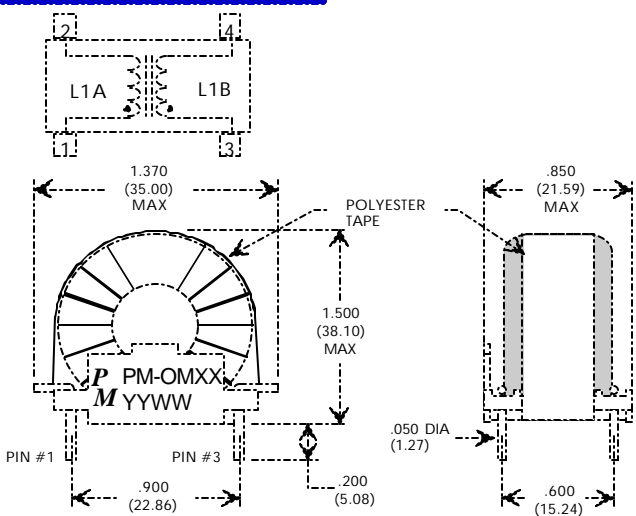
SCHEMATICS



PACKAGE "B"

Physical Dimensions in inches (mm)

PACKAGE "C"



Specifications subject to change without notice.

PM-OMxxx 11/06

COMMON MODE LINE CHOKES

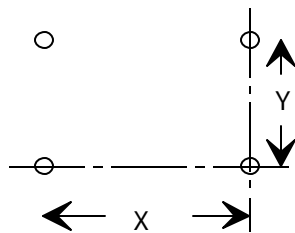
- 1 For High Frequency Power Supply Applications
- 2 1250 Vrms Isolation Voltage

- 3 Vertical Mount
- 4 Industry Standard Package

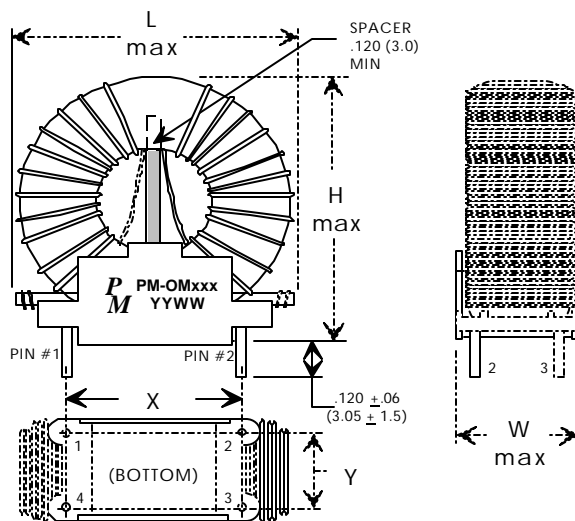
ELECTRICAL SPECIFICATIONS AT 25°C - OPERATING TEMPERATURE RANGE -40°C TO +85°C

PART NUMBER	IND. (L.) @15.75Khz (mHMin)	CURRENT RATING (Arms)	LEAKAGE L (mH Max.)	DCR Ohms (Max.)	REF. DIMENSIONS IN INCHES					
					H (Max)	L (Max)	W (Max)	X (±0.01)	Y (±0.01)	Lead Dia.
PM-OM101	5.0	1.0	80	0.207	1.100	1.210	0.625	0.80	0.40	0.054
PM-OM102	8.0	1.0	125	0.270	1.100	1.210	0.625	0.80	0.40	0.054
PM-OM103	15.0	1.0	233	0.430	1.155	1.300	0.625	0.80	0.40	0.054
PM-OM104	2.5	2.0	42	0.090	1.100	1.210	0.625	0.80	0.40	0.054
PM-OM105	4.0	2.0	70	0.095	1.050	1.210	0.625	0.80	0.40	0.054
PM-OM106	7.5	2.0	74	0.108	1.155	1.300	0.625	0.80	0.40	0.054
PM-OM107	1.3	4.0	20	0.029	1.100	1.210	0.625	0.80	0.40	0.054
PM-OM108	2.1	4.0	36	0.040	1.100	1.210	0.625	0.80	0.40	0.054
PM-OM109	3.7	4.0	40	0.036	1.125	1.300	0.625	0.80	0.40	0.054
PM-OM110	1.0	6.0	19	0.022	1.100	1.210	0.625	0.80	0.40	0.054
PM-OM111	1.7	6.0	34	0.032	1.155	1.300	0.625	0.80	0.40	0.054
PM-OM112	3.0	6.0	35	0.027	1.200	1.210	0.625	0.80	0.40	0.054
PM-OM113	0.6	9.0	11	0.012	1.200	1.210	0.625	0.80	0.40	0.042
PM-OM114	1.1	9.0	12	0.013	1.300	1.210	0.625	0.80	0.40	0.042
PM-OM115	1.9	9.0	20	0.017	1.300	1.400	0.625	0.80	0.40	0.042
PM-OM116	0.5	12.0	9	0.008	1.200	1.210	0.625	0.80	0.40	0.048
PM-OM117	0.8	12.0	9	0.008	1.200	1.210	0.625	0.80	0.40	0.048
PM-OM118	1.4	12.0	16	0.011	1.300	1.210	0.625	0.80	0.40	0.048
PM-OM119	0.3	15.0	6	0.005	1.300	1.210	0.625	0.80	0.40	0.054
PM-OM120	0.6	15.0	6.5	0.006	1.250	1.210	0.625	0.80	0.40	0.054
PM-OM121	1.1	15.0	13.7	0.008	1.250	1.210	0.700	0.80	0.40	0.054

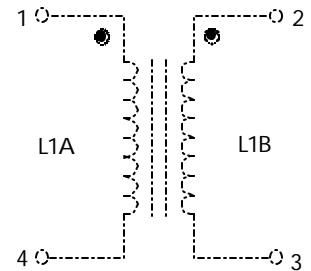
MECHANICAL



RECOMMENDED P.C.B. LAYOUT
Dimensions in inches



SCHEMATICS



Specifications subject to change without notice.

PM-OMxxx 11/06

COMMON MODE LINE CHOKES

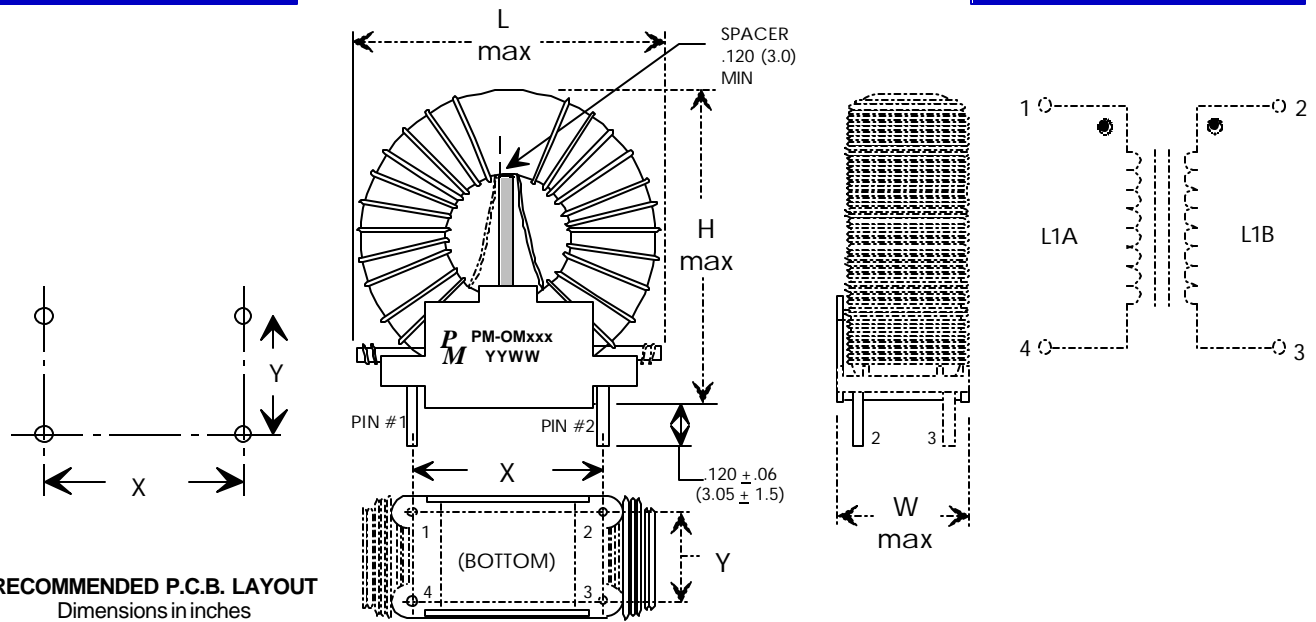
- 1 For High Frequency Power Supply Applications
- 2 1250 Vrms Isolation Voltage
- 3 Vertical Mount
- 4 Industry Standard Package

ELECTRICAL SPECIFICATIONS AT 25°C - OPERATING TEMPERATURE RANGE -40°C TO +85°C

PART NUMBER	IND. (L _s) @15.75Khz (mHMin)	CURRENT RATING (Arms)	LEAKAGE L _l (mH Max.)	DCR Ohms (Max.)	REF. DIMENSIONS IN INCHES					
					H (Max)	L (Max)	W (Max)	X (±0.01)	Y (±0.01)	Lead Dia.
PM-OM201	7.5	1.0	90	0.270	1.100	1.310	0.825	0.90	0.60	0.054
PM-OM202	13.0	1.0	190	0.415	1.300	1.310	0.825	0.90	0.60	0.054
PM-OM203	3.8	2.0	48	0.106	1.100	1.310	0.825	0.90	0.60	0.054
PM-OM204	6.5	2.0	98	0.145	1.300	1.310	0.825	0.90	0.60	0.054
PM-OM205	1.9	4.0	26	0.038	1.100	1.310	0.825	0.90	0.60	0.054
PM-OM206	3.3	4.0	45	0.055	1.300	1.300	0.825	0.90	0.60	0.054
PM-OM207	1.5	6.0	21	0.029	1.100	1.310	0.825	0.90	0.60	0.054
PM-OM208	2.6	6.0	41	0.040	1.400	1.400	0.900	0.90	0.60	0.054
PM-OM209	0.9	9.0	17	0.014	1.200	1.310	0.825	0.90	0.60	0.042
PM-OM210	1.5	9.0	15	0.013	1.250	1.250	0.825	0.90	0.60	0.042
PM-OM211	0.7	12.0	14	0.011	1.200	1.250	0.825	0.90	0.60	0.048
PM-OM212	1.2	12.0	14	0.011	1.200	1.250	0.825	0.90	0.60	0.048
PM-OM213	0.5	15.0	8.7	0.007	1.300	1.300	0.825	0.90	0.60	0.054
PM-OM214	0.8	15.0	10	0.007	1.200	1.250	0.825	0.90	0.60	0.054

MECHANICAL

SCHEMATICS



COMMON MODE LINE CHOKES

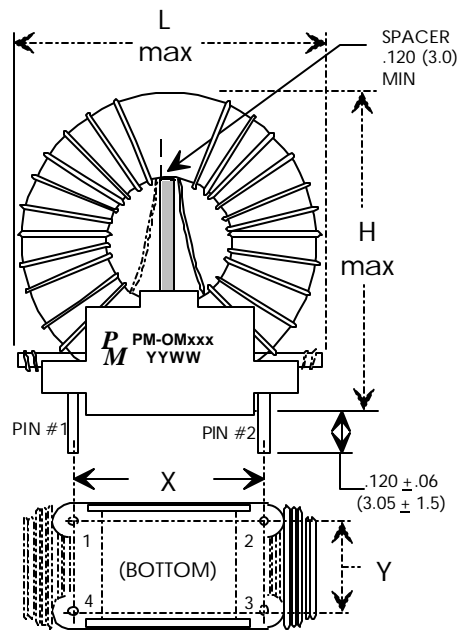
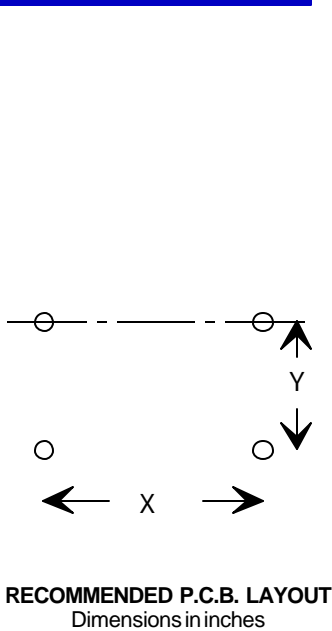
- ① For High Frequency Power Supply Applications
- ② 1250 Vrms Isolation Voltage

- ③ Vertical Mount
- ④ Industry Standard Package

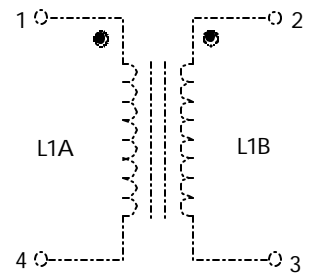
ELECTRICAL SPECIFICATIONS AT 25°C - OPERATING TEMPERATURE RANGE -40°C TO +85°C

PART NUMBER	IND. (L _i) @15.75Khz (mHMin)	CURRENT RATING (Arms)	LEAKAGE L _l (mH Max.)	DCR Ohms (Max.)	REF. DIMENSIONS IN INCHES					
					H (Max)	L (Max)	W (Max)	X (±0.01)	Y (±0.01)	Lead Dia.
PM-OM301	32.5	1.0	485	0.650	1.400	1.650	0.925	1.20	0.70	0.054
PM-OM302	56.0	1.0	780	0.900	1.650	1.650	0.925	1.20	0.70	0.054
PM-OM303	16.0	2.0	210	0.240	1.400	1.650	0.925	1.20	0.70	0.054
PM-OM304	28.0	2.0	410	0.330	1.650	1.650	0.925	1.20	0.70	0.054
PM-OM305	8.0	4.0	57.5	0.061	1.350	1.650	0.925	1.20	0.70	0.054
PM-OM306	14.0	4.0	180	0.120	1.700	1.650	0.950	1.20	0.70	0.054
PM-OM307	6.6	6.0	49	0.048	1.400	1.600	0.925	1.20	0.70	0.054
PM-OM308	11.5	6.0	140	0.088	1.700	1.650	0.925	1.20	0.70	0.054
PM-OM309	4.0	9.0	37	0.026	1.400	1.450	0.925	1.20	0.70	0.042
PM-OM310	7.0	9.0	104	0.045	1.760	1.760	0.975	1.20	0.70	0.042
PM-OM311	3.0	12.0	40	0.022	1.700	1.700	0.950	1.20	0.70	0.048
PM-OM312	5.2	12.0	47	0.025	1.700	1.700	1.000	1.20	0.70	0.048
PM-OM313	2.5	15.0	42	0.019	1.750	1.750	1.000	1.20	0.70	0.054
PM-OM314	4.4	15.0	48	0.017	1.700	1.700	1.000	1.20	0.70	0.054

MECHANICAL



SCHEMATICS



COMMON MODE LINE CHOKES

- 1 For High Frequency Power Supply Applications
- 2 1250 Vrms Isolation Voltage

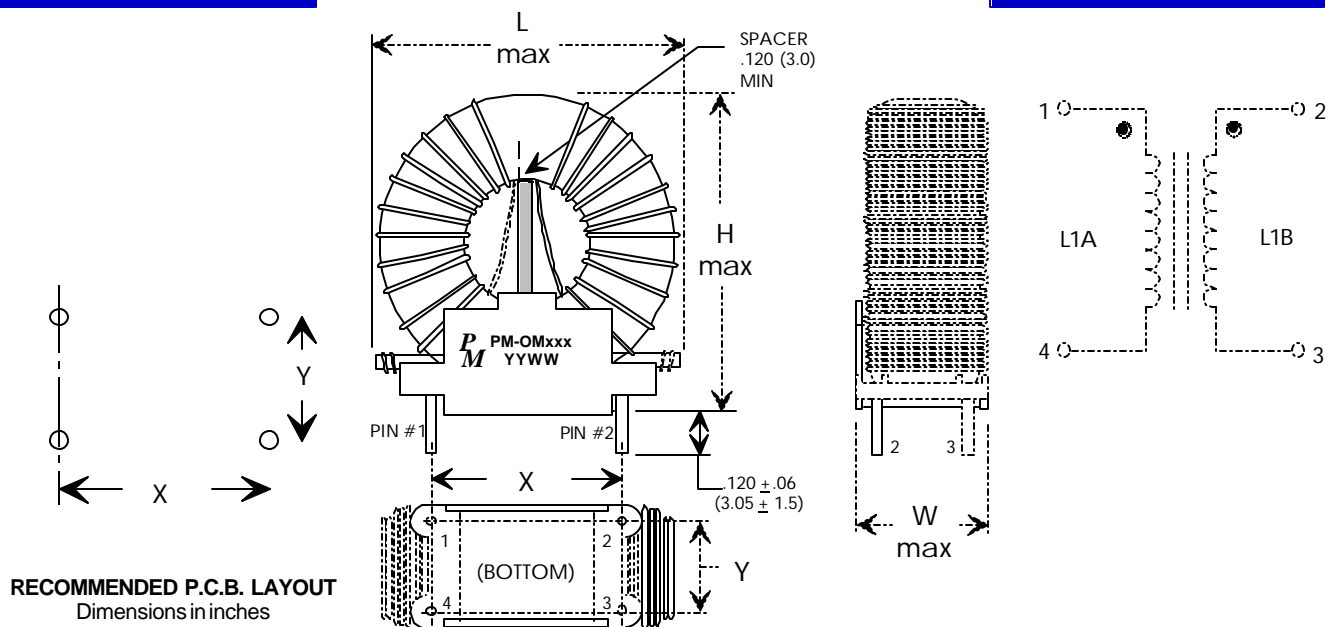
- 3 Vertical Mount
- 4 Industry Standard Package

ELECTRICAL SPECIFICATIONS AT 25°C - OPERATING TEMPERATURE RANGE -40°C TO +85°C

PART NUMBER	IND. (L _s) @15.75Khz (mHMin)	CURRENT RATING (Arms)	LEAKAGE L _s (mH Max.)	DCR Ohms (Max.)	REF. DIMENSIONS IN INCHES					
					H (Max)	L (Max)	W (Max)	X (±0.01)	Y (±0.01)	Lead Dia.
PM-OM401	72.0	1.0	1400	1.150	2.100	2.100	1.130	1.50	0.90	0.054
PM-OM402	125.0	1.0	1400	1.150	2.200	2.150	1.130	1.50	0.90	0.054
PM-OM403	36.0	2.0	680	0.415	2.150	2.150	1.130	1.50	0.90	0.054
PM-OM404	62.0	2.0	750	0.415	2.200	2.150	1.130	1.50	0.90	0.054
PM-OM405	19.0	4.0	350	0.150	2.200	2.180	1.130	1.50	0.90	0.054
PM-OM406	32.0	4.0	370	0.158	2.200	2.180	1.130	1.50	0.90	0.054
PM-OM407	15.0	6.0	275	0.114	2.200	2.180	1.130	1.50	0.90	0.054
PM-OM408	26.0	6.0	320	0.115	2.225	2.180	1.130	1.50	0.90	0.054
PM-OM409	10.0	9.0	190	0.057	2.200	2.180	1.130	1.50	0.90	0.042
PM-OM410	17.0	9.0	220	0.062	2.280	2.250	1.150	1.50	0.90	0.042
PM-OM411	7.5	12.0	140	0.042	2.200	2.250	1.130	1.50	0.90	0.048
PM-OM412	13.0	12.0	155	0.043	2.500	2.300	1.130	1.50	0.90	0.048
PM-OM413	6.0	15.0	111	0.030	2.200	2.250	1.150	1.50	0.90	0.054
PM-OM414	10.0	15.0	122	0.029	2.280	2.300	1.130	1.50	0.90	0.054

MECHANICAL

SCHEMATICS



Specifications subject to change without notice.

PM-OMxxx 11/06