



GATE DRIVE TRANSFORMERS

- * Designs for Gate/Base/Flyback/Push-pull
- * High Isolation Voltages
- * Operation frequency from 20kHz

- * Industry Standard Packages
- * Multiple Configurations

ELECTRICAL SPECIFICATIONS AT 25°C - OPERATING TEMPERATURE RANGE -40°C TO +80°C

PART NUMBER	TURNS RATIO (Pri:Sec ± 5%)	PRIMARY OCL (μH)	LEAKAGE IND (μH tpy.)	PRI DCR (Ω MAX.)	SEC DCR (Ω MAX.)	PRI/SEC HI-POT VDC	PACKAGE/ SCHEMATIC
PMGD-02	1 : 1 : 1	530	1.5	-	-	1500	EP13/9
PMGD-03	1 : 1	800	2.0	-	-	1500	EP7/3
PMGD-04	1 : 1 : 1	24500	20.0	-	-	1000	EP10/10
PMGD-05	1 : 0.67	6200	15.0	-	-	1000	EP10/11
PMGD-06	1 : 1	6200	15.0	-	-	2800	EP10/11
PMGD-07	1 : 2 : 2	2350	2.0	-	-	2100	EP13/12
PMGD-08	1 : 1.25 : 1.25	575	1.0	-	-	4200	EP13/13
PMGD-09	1 : 2 : 2	2350	2.0	-	-	4200	EP13/13
PMGD-10	1 : 2 : 2	8350	25.0	-	-	3500	EP13/13
PMGD-50	1CT : 1CT	800 MIN	3.00	3.50	3.50	1250	EP5G/1
PMGD-51	1CT : 2CT	390 MIN	1.50	2.25	4.50	1250	EP5G/1
PMGD-52	1CT : 2.5CT	390 MIN	1.50	2.25	6.00	1250	EP5G/1
PMGD-53	1CT : 3CT	2000 MIN	1.20	3.00	25.0	1250	EP5G/19
PMGD-54	1 : 1CT	2000 MIN	1.20	2.75	2.75	1250	EP5G/2
PMGD-55	1 : 2CT	17.2 ± 20%	1.00	1.25	3.00	1250	EP5G/2
PMGD-56	1 : 12.04	3.7 ± 20%	0.275	0.90	12.25	550	EP5G/3
PMGD-57	1 : 3.0	9.88 ± 20%	0.500	1.00	3.25	1250	EP5G/4
PMGD-58	1 : 1 : 1	330 MIN	0.500	2.0	2.0	1500	EP5G/7
PMGD-59	1 : 1	330 MIN	1.0	1.0	1.0	1500	EP5G/8
PMGD-60	1CT : 5CT	160 MIN N/A	1.1	9.6		1800	A/5
PMGD-61	1CT : 3CT	180 MIN N/A	1.1	8.0		1800	A/5
PMGD-62	1 : 5	180 MIN N/A	1.1	8.3		1800	A/6
PMGD-63	1 : 1	700 ± 20%	3.0	2.0	2.0	1250	EP5G/3
PMGD-64	1 : 1.0	785 MIN	0.500	1.00	0.6	0.6	EP5G/4



GATE DRIVE TRANSFORMERS

(TOROID)

- * Insulation Resistance - 100MΩ minimum
- * Temperature rise - 40°C
- * Current Rating - 0.3 Amps

ELECTRICAL SPECIFICATIONS AT 25°C - OPERATING TEMPERATURE RANGE -40°C TO +80°C

PART NUMBER	TURNS (N1:N2:N3)	N1 INDUCTANCE (mH min.) (10kHz, 50mV)	N3 LEAKAGE IND (μH Max.)	N1 DCR (Ω MAX.)	N3 DCR (Ω MAX.)	N3-N1/N2 HIPOT (Vrms)	N1-N2 HIPOT (Vrms)	PACKAGE/ SCHEMATIC
PMGD-111	8:8:12	0.14	0.5	0.060	0.097	4200	500	B / 15
PMGD-112	10:10	0.22	0.5	0.072	0.074	-	4200	B / 16
PMGD-113	10:10:10	0.22	0.5	0.072	0.074	4200	500	B / 15
PMGD-114	12:12:10	0.31	0.5	0.077	0.074	4200	500	B / 15
PMGD-115	14:14:10	0.42	0.5	0.090	0.074	4200	500	B / 15
PMGD-116	10:15	0.22	0.5	0.072	0.100	-	4200	B / 16
PMGD-117	15:15:10	0.47	0.5	0.100	0.074	4200	500	B / 15
PMGD-118	20:20:10	0.83	0.5	0.138	0.074	4200	500	B / 15
PMGD-119	20:20:20	0.83	0.5	0.156	0.156	4200	500	B / 15



SMT GATE DRIVE TRANSFORMERS

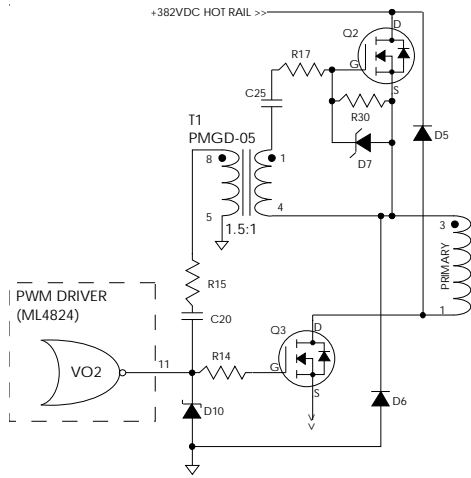
- * Basic Insulation (1.4mm creepage and clearance between Primary and Secondary)
- * Operating Frequency at 50kHz minimum
- * RoHS compliant

ELECTRICAL SPECIFICATIONS AT 25°C - OPERATING TEMPERATURE RANGE -40°C TO +130°C

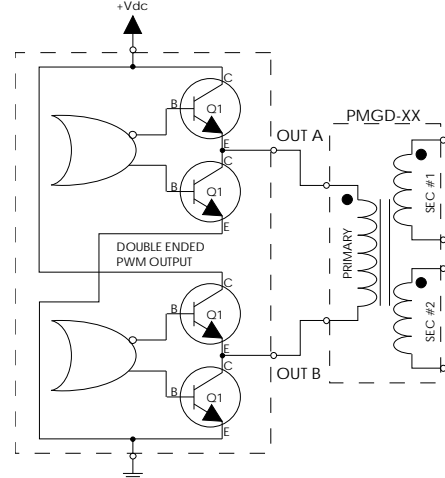
PART NUMBER	TURNS (PRI:SEC1:SEC2)	PRIMARY INDUCTANCE (uH MIN.)	LEAKAGE INDUCTANCE (uH MAX.)	PRIMARY DCR (Ω MAX.)	SECONDARY DCR (Ω MAX.)	HIPOT (Vrms)	Vusec MAX.	PACKAGE/ SCHEMATIC
PMGD-130	1 : 1	1490	0.80	1.15	1.15	1500	50	C / 18
PMGD-131	2 : 1 : 1	1425	0.80	1.15	0.60	1500	50	C / 17
PMGD-132	2.5 : 1 : 1	1485	0.80	1.15	0.45	1500	45	C / 17

TYPICAL APPLICATIONS

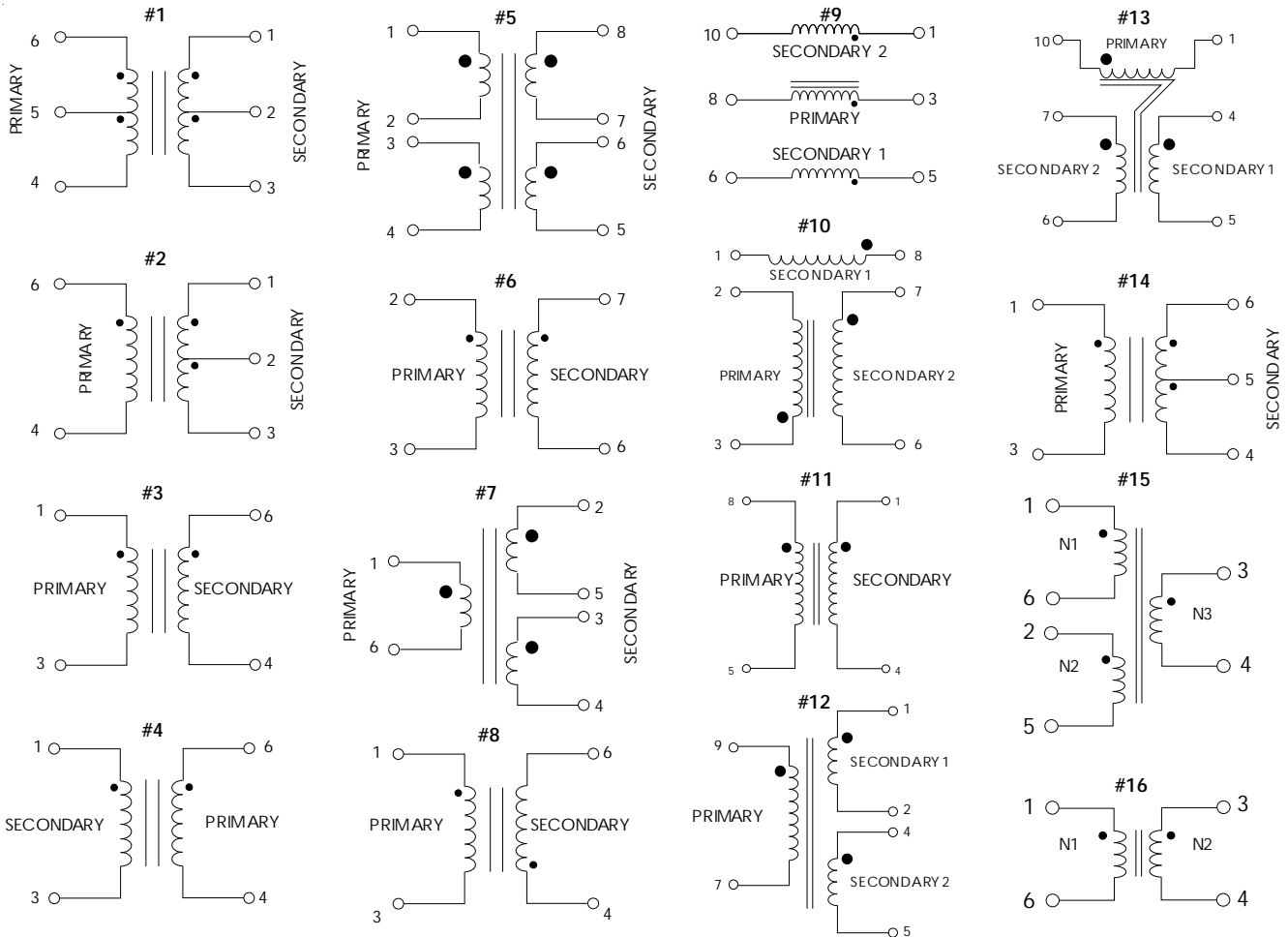
TYPICAL SINGLE ENDED APPLICATION CIRCUIT



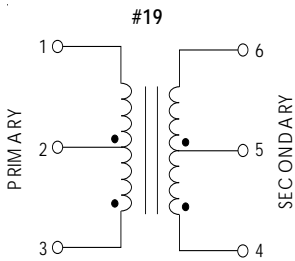
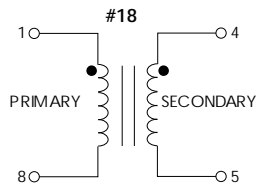
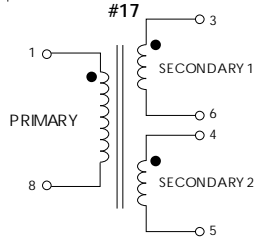
TYPICAL DOUBLE ENDED APPLICATION CIRCUIT



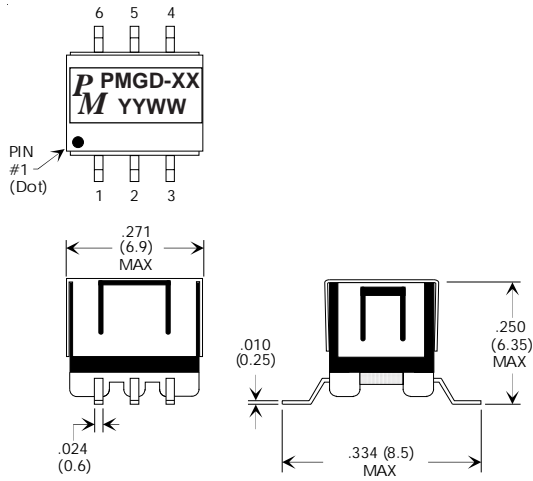
SCHEMATICS



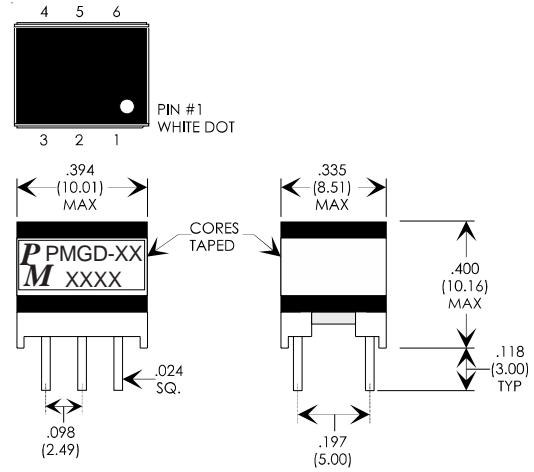
SCHEMATICS



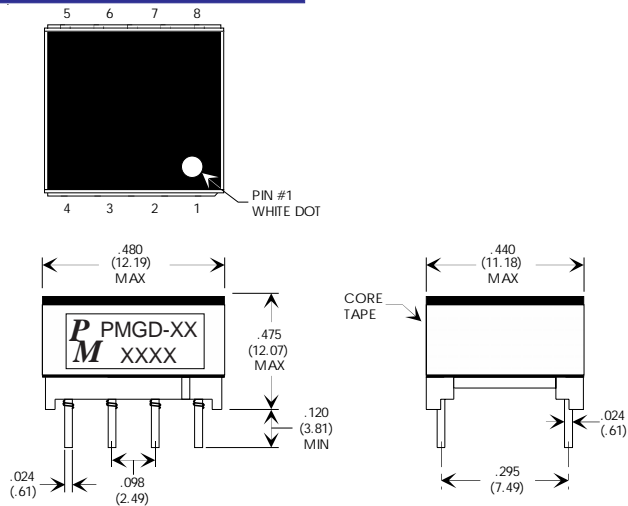
EP5G MECHANICAL



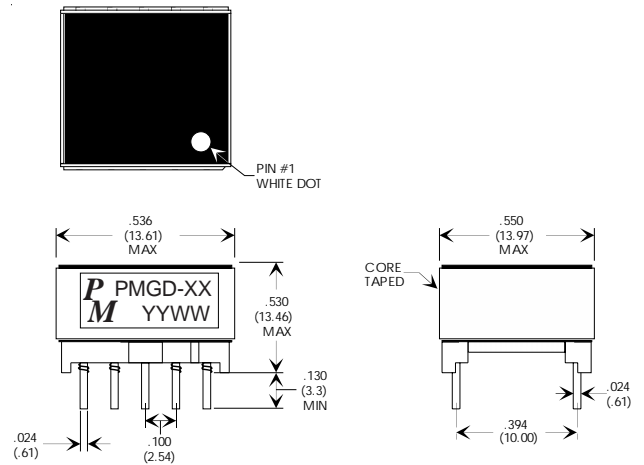
EP7 MECHANICALS



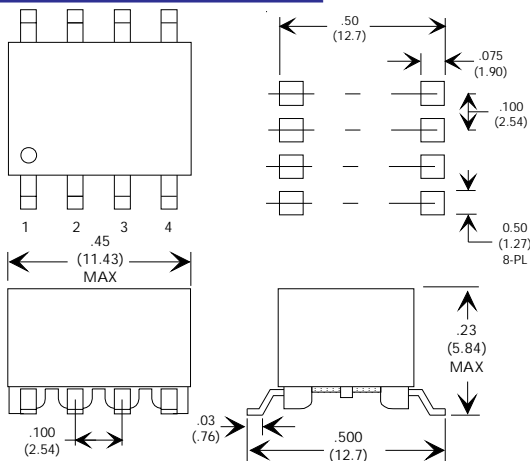
EP10 MECHANICAL



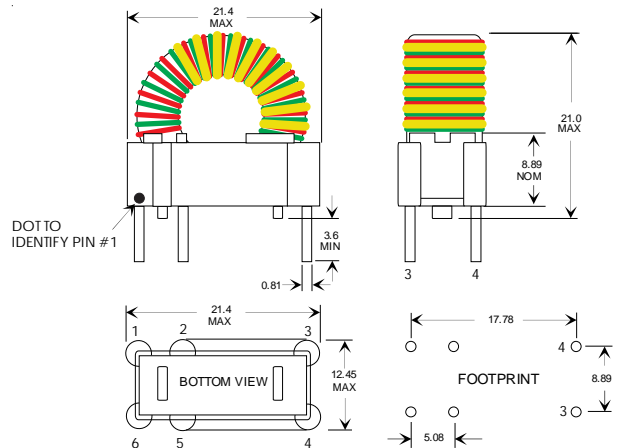
EP13 MECHANICAL



A MECHANICAL



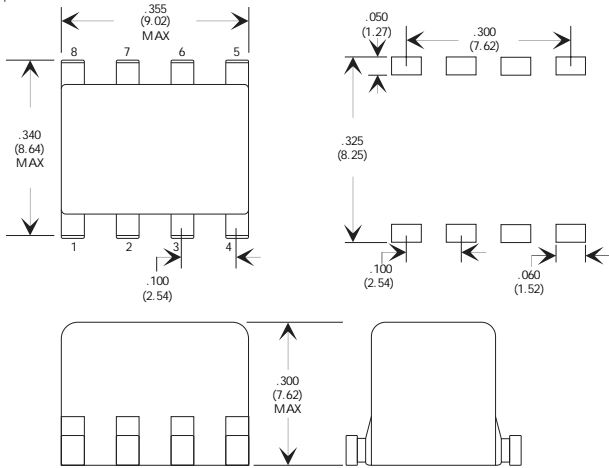
B MECHANICAL



Specifications subject to change without notice.

pmgd05/20

CMECHANICAL





<u>PREMIER</u>	<u>MIDCOM</u>
<u>PMGD-50</u>	<u>31094R</u>
<u>PMGD-51</u>	<u>31095R</u>
<u>PMGD-52</u>	<u>31096R</u>
<u>PMGD-53</u>	<u>30902R</u>
<u>PMGD-54</u>	<u>31204R</u>
<u>PMGD-55</u>	<u>31098R</u>
<u>PMGD-56</u>	<u>31032R</u>
<u>PMGD-57</u>	<u>31099R</u>
<u>PMGD-60</u>	<u>S5499D COILCRAFT</u>
<u>PMGD-62</u>	<u>S6650D COILCRAFT</u>
<u>PMGD-130</u>	<u>PA-2007 PULSE</u>
<u>PM-GD-131</u>	<u>PA2008 PULSE</u>
<u>PMGD-132</u>	<u>PA2009 PULSE</u>