

TABLE 1: ELECTRICAL SPECIFICATIONS AT 25°C

PARAMETER	SPEC LIMITS			UNITS
	MIN.	TYP.	MAX.	
PRIMARY INDUCTANCE (7-5) VOLTAGE = 0.250Vrms FREQUENCY = 100 KHZ	3.2	3.5	3.8	mHY
TURN RATIO'S: 7-5 : 4-1 7-5 : 9-10	-----	6.1:1 15.3:1	-----	± 4% ± 4%
PRI LEAKAGE INDUCTANCE VOLTAGE = 0.250Vrms FREQUENCY = 100 KHZ	-----	-----	160	μHY
PRIMARY RESONANT FREQUENCY	500	-----	-----	kHz
HIPOT PRIMARY TO SECONDARY	3000	-----	-----	Vrms

FIGURE 1: SCHEMATIC DIAGRAM

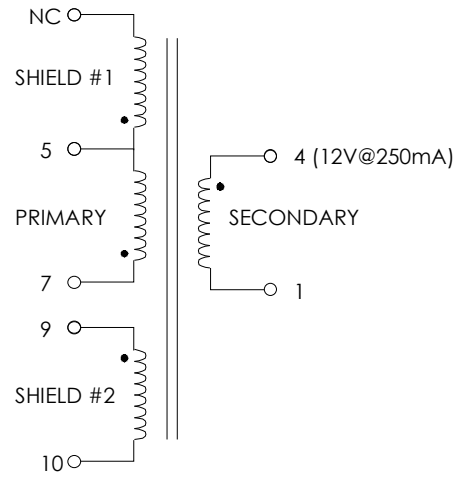
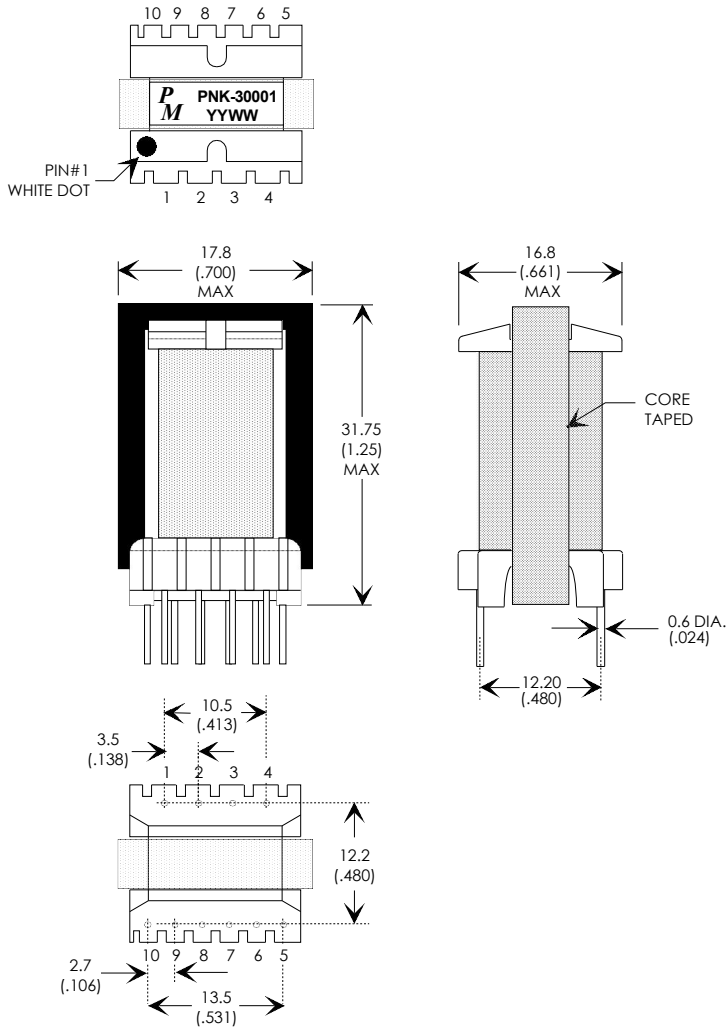


FIGURE 2: PHYSICAL DIMENSIONS mm (INCHES)



NOTE1:

- A) ALL MATERIALS MEET "UL", "CSA" & "IEC" REQUIREMENTS
- B) 6mm CREEPAGE BETWEEN PRI & SEC
- C) VARNISH FINISHED ASSEMBLY.

REV.	DESCRIPTION OF CHANGES	BY
02/10/09	OGIRINAL RELEASE	PP

RoHS



UNLESS OTHERWISE SPECIFIED
DIMENSIONS ARE IN INCHES
DIMENSIONAL TOLERANCES ARE:
DECIMALS ANGLES
.XX ± .02 ± 5°
.XXX ± .001
DO NOT SCALE DRAWING

TRANSFORMER CONTROL DRAWING

PREMIER P/N: PNK-30001	REVISION: 02/10/09
ENGR: PETER PHAM	REF: LINK-TN
SCALE: NONE	SHEET: 1 OF 1