

TABLE 1: ELECTRICAL SPECIFICATIONS AT 25°C

PARAMETER	SPEC LIMITS			UNITS
	MIN.	TYP.	MAX.	
PRIMARY INDUCTANCE (4-1) FREQ. = 100 KHZ @ 0.4Vrms	1650	1800	1950	μHY
LEAKAGE IND (4-1). (TIE 8-7) FREQ. = 100 KHZ @ 0.250Vrms	-----	-----	94	μHY
TURN RATIO'S: 4 - 1 : 8-7	-----	14.45:1	-----	± 3%
PRIMARY RESONANT FREQUENCY	540	-----	-----	KHz
HIPOT: PRIMARY TO SECONDARY	3000	-----	-----	Vrms

FIGURE 1: SCHEMATIC DIAGRAM

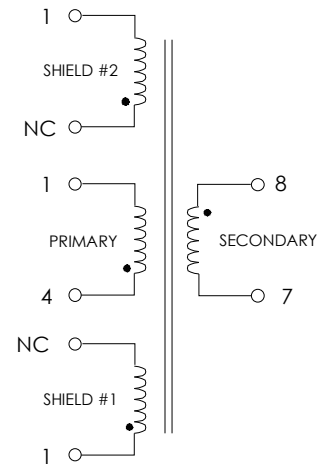
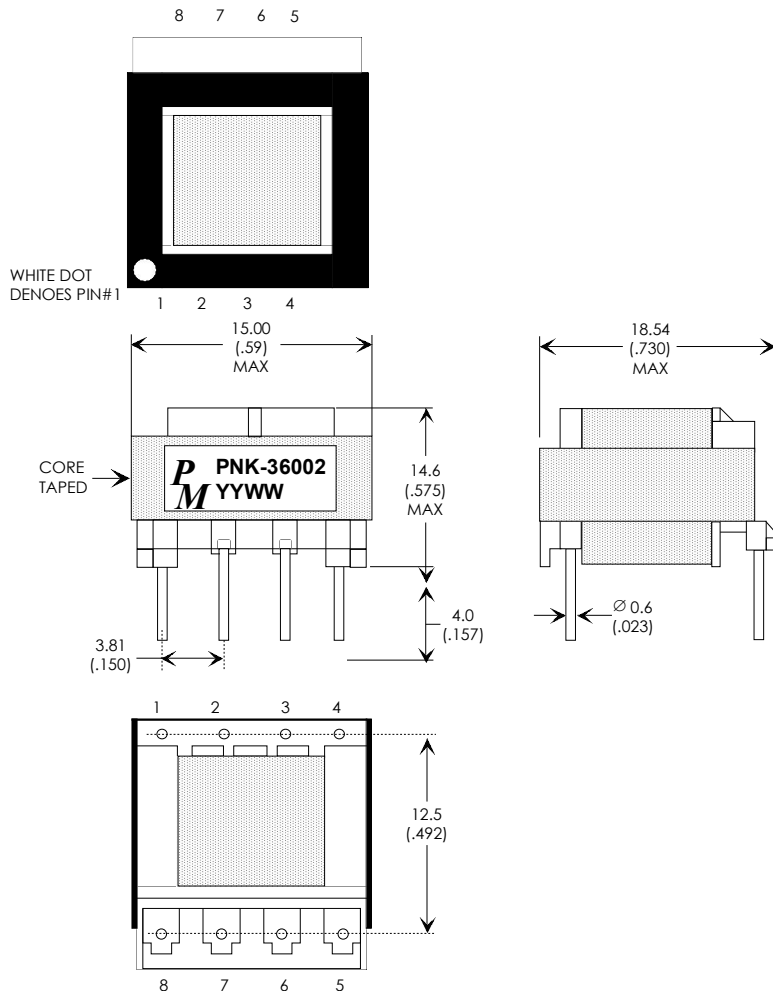


FIGURE 2: PHYSICAL DIMENSIONS mm (INCHES)



NOTE1:

- A) ALL MATERIALS MEET "UL", "CSA" & "IEC" REQUIREMENTS
- B) TRIPLE BASIC INSULATED SECONDARY
- C) VARNISH FINISHED ASSEMBLY.

REV.	DESCRIPTION OF CHANGES	BY
02/10/09	OGIRINAL RELEASE	PP

TRANSFORMER CONTROL DRAWING

PREMIER P/N: PNK-36002	REVISION: 02/10/09
ENGR: PETER PHAM	REF: LNK-XT
SCALE: NONE	SHEET: 1 OF 1



UNLESS OTHERWISE SPECIFIED
DIMENSIONS ARE IN MM
DIMENSIONAL TOLERANCES ARE:
DECIMALS ANGLES
.X ± .25 ±0° 30'
.XX ± .15
DO NOT SCALE DRAWING