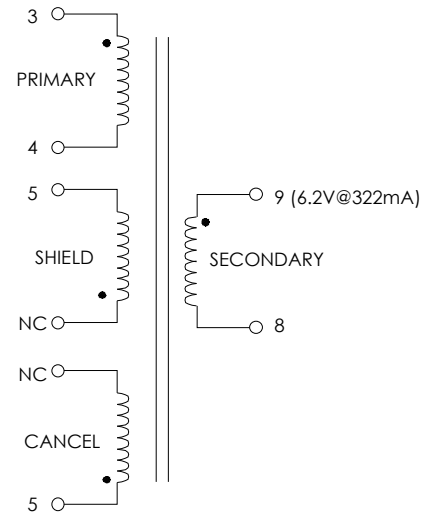


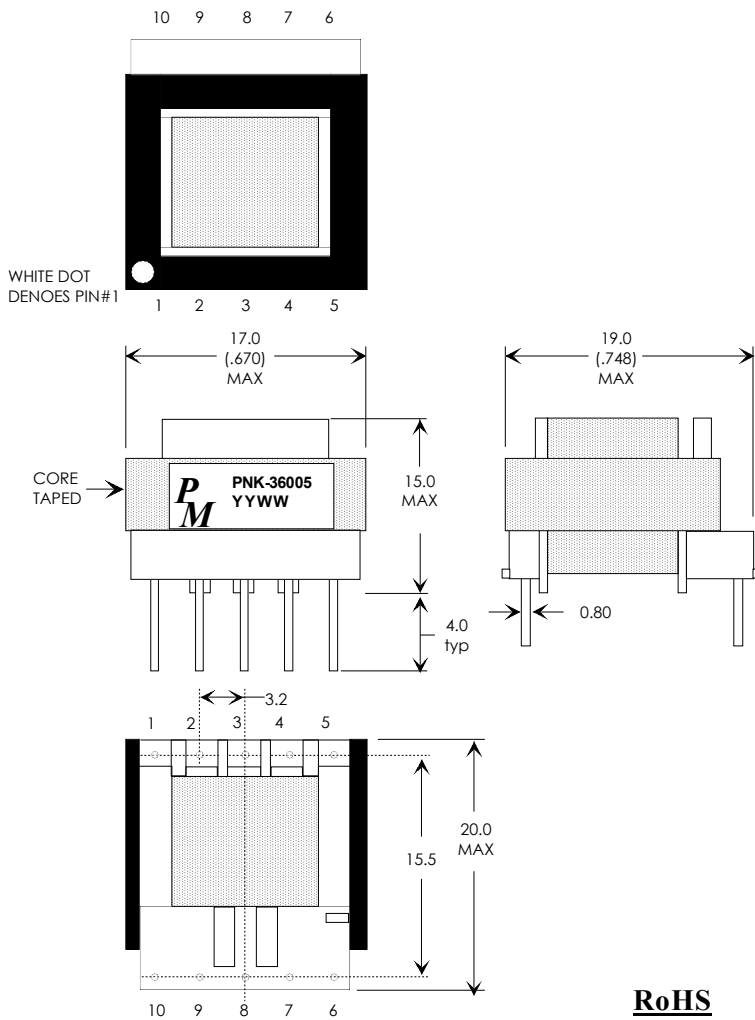
**TABLE 1: ELECTRICAL SPECIFICATIONS AT 25°C**

PARAMETER	SPEC LIMITS			UNITS
	MIN.	TYP.	MAX.	
PRIMARY INDUCTANCE (3-4) FREQ. = 100 KHZ @ 0.40Vrms	2.40	2.64	2.85	mHY
TURN RATIO'S: 3-4 : 9-8	-----	1 : .09	-----	± 3%
PRI LEAKAGE IND. (3-4) FREQ. = 100 KHZ @ 0.250Vrms TIE 8-9	-----	-----	80	μHY
RESONANT FREQUENCY (3-4)	275	-----	-----	KHZ
HIPOT: PRIMARY TO SECONDARIES	3000	-----	-----	Vrms

**FIGURE 1: SCHEMATIC DIAGRAM**



**FIGURE 2: PHYSICAL DIMENSIONS mm (INCHES)**



- \* Design to comply with the requirements of IEC950, EN60950, UL 1950/CSA950.
- \* Design to comply with the requirements of UL, IEC & CSA Insulation System Class B.
- \* All units comply with the requirements of EU RoHS Directive.
- \* 3000 Vrm Isolation (Hi-Pot). Meets UL1950, IEC950 Safety Standard

**RoHS**

REV.	DESCRIPTION OF CHANGES	BY
09/14/09	OGIRINAL RELEASE	PP
04/19/10	UPDATE TURNS ON STEP 1 & 5	PP
01/31/11	UPDATE IK	PP

**TRANSFORMER CONTROL DRAWING**

PREMIER P/N: PNK-36005	REVISION: 01/31/11
ENGR: PETER PHAM	REF: LINK-XT
SCALE: NONE	SHEET: 1 OF 1



UNLESS OTHERWISE SPECIFIED  
DIMENSIONS ARE IN MM  
DIMENSIONAL TOLERANCES ARE:  
DECIMALS ANGLES  
.X ± .25 ±0° 30'  
.XX ± .15  
DO NOT SCALE DRAWING