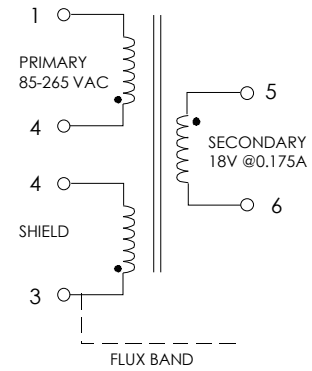


**TABLE 1: ELECTRICAL SPECIFICATIONS AT 25 °C**

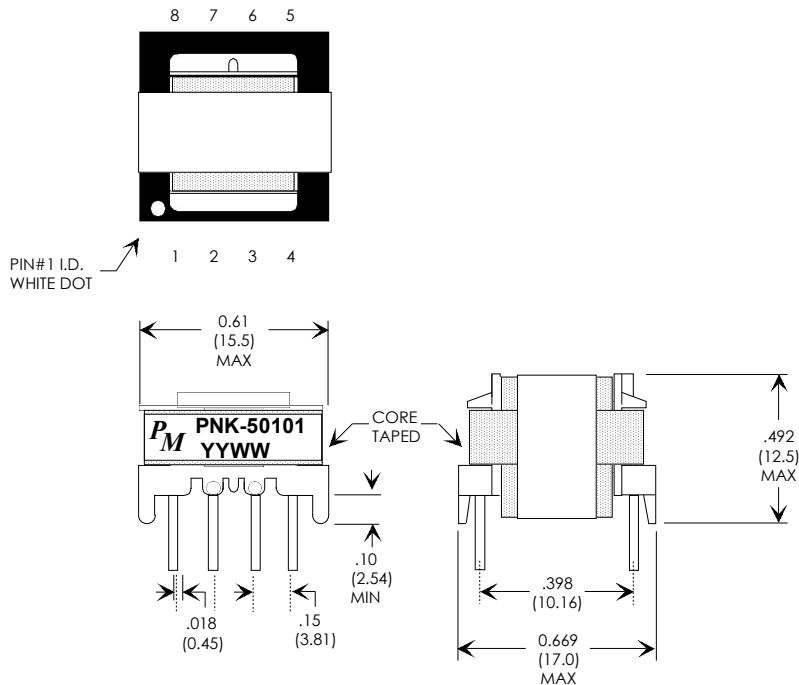
PARAMETER	SPEC LIMITS			UNITS
	MIN.	TYP.	MAX.	
INDUCTANCE (4-1) VOLTAGE = 0.100Vrms FREQUENCY = 42 KHz	2400	2550	2700	μHY
LEAKAGE INDUCTANCE (4-1) VOLTAGE = 0.100Vrms, TIE 5-6 FREQUENCY = 100 KHz	-----	-----	50	μHY
TURNRATIO'S: (4-1) : (5-6)	-----	3.53 : 1	-----	± 2%
PRIMARY RESONANT FREQUENCY	300	-----	-----	KHz
HIPOT: PRI TO SEC	3750	-----	-----	Vrms
INPUT OUTPUT VOLTAGE OUTPUT POWER	85	18 3.2	265	VAC VDC WATT

**FIGURE 1: SCHEMATIC DIAGRAM**



- \* Design to comply with the requirements of UL/CSA/IEC 60950-1.
- \* Design to comply with the requirements of UL, IEC & CSA Insulation System Class B.
- \* All units comply with the requirements of EU RoHS Directive.
- \* All materials per Premier Magnetics UL file #E177139.

**FIGURE 2: PHYSICAL DIMENSIONS (INCHES)mm**



REV.	DESCRIPTION OF CHANGES	BY
04/30/13	ORIGINAL RELEASE	PP



UNLESS OTHERWISE SPECIFIED  
DIMENSIONS ARE IN MM  
DIMENSIONAL TOLERANCES ARE:  
DECIMALS ANGLES  
.X ± .25 ±0° 30'  
.XX ± .15  
DO NOT SCALE DRAWING

TRANSFORMER CONTROL DRAWING	
PREMIER P/N:PNK-50101	REVISION: 04/30/13
ENGR: PETER PHAM	REF: LNK501
QA: KEVIN CLARK	SHEET: 1 OF 2