

TABLE 1: ELECTRICAL SPECIFICATIONS AT 25°C

PARAMETER	SPEC LIMITS			UNITS
	MIN.	TYP.	MAX.	
PRIMARY INDUCTANCE (7-5) VOLTAGE = 0.250Vrms FREQUENCY = 100 KHZ	2.8	3.0	3.2	mHY
TURN RATIO'S: 7-5 : 9-10 7-5 : 4-3 7-5 : 2-1	-----	1 : .078 1 : .059 1 : .059	-----	± 3% ± 3% ± 3%
PRI LEAKAGE INDUCTANCE VOLTAGE = 0.250Vrms FREQUENCY = 100 KHZ	-----	-----	160	μHY
HIPOT PRIMARY TO SECONDARIES	3000	-----	-----	Vrms

FIGURE 1: SCHEMATIC DIAGRAM

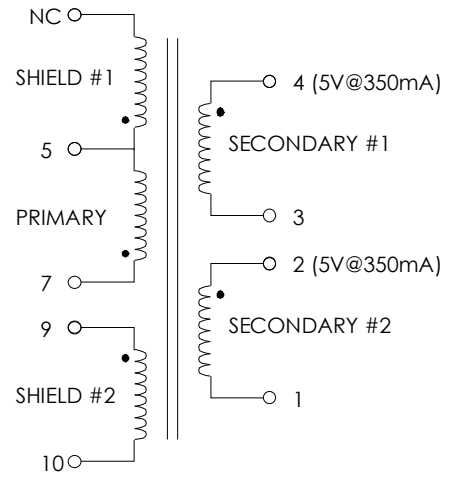
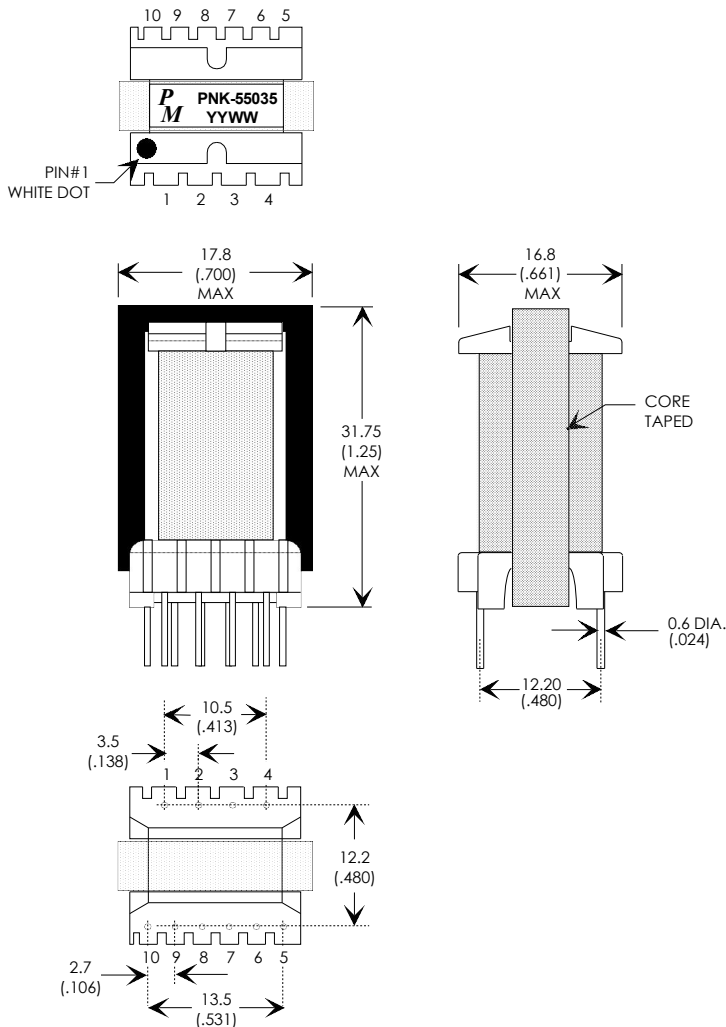


FIGURE 2: PHYSICAL DIMENSIONS mm (INCHES)



NOTE1:

- A) ALL MATERIALS MEET "UL", "CSA" & "IEC" REQUIREMENTS
- B) 6mm CREEPAGE BETWEEN PRI & SEC
- C) VARNISH FINISHED ASSEMBLY.

REV.	DESCRIPTION OF CHANGES	BY
02/23/10	OGIRINAL RELEASE	PP

RoHS



UNLESS OTHERWISE SPECIFIED
 DIMENSIONS ARE IN INCHES
 DIMENSIONAL TOLERANCES ARE:
 DECIMALS ANGLES
 .XX ± .02 ± 5°
 .XXX ± .001
 DO NOT SCALE DRAWING

TRANSFORMER CONTROL DRAWING

PREMIER P/N: PNK-55035	REVISION: 02/23/10
ENGR: PETER PHAM	REF: LINK-TN
SCALE: NONE	SHEET: 1 OF 1