

TABLE 1: ELECTRICAL SPECIFICATIONS AT 25°C

PARAMETER	SPEC LIMITS			UNITS
	MIN.	TYP.	MAX.	
PRIMARY INDUCTANCE (2-1) FREQ. = 100 KHZ @ 0.250Vrms	3950	4165	4375	μHY
TURN RATIO'S: PRI: BIAS PRI: SEC	----- -----	9:1 48:1	----- -----	± 3% ± 3%
PRI LEAKAGE IND. (SEC'S SHORTED) FREQ. = 100 KHZ @ 0.250Vrms	-----	-----	130	μHY
PRIMARY RESONANT FREQUENCY	600			kHz
HIPOT: PRIMARY TO SECONDARY	3000	-----	-----	Vrms

FIGURE 1: SCHEMATIC DIAGRAM

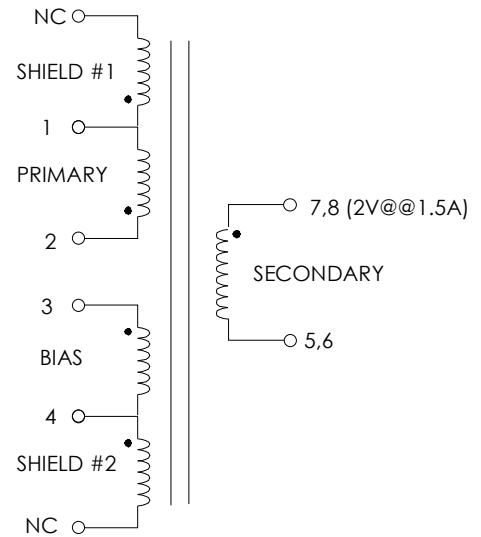
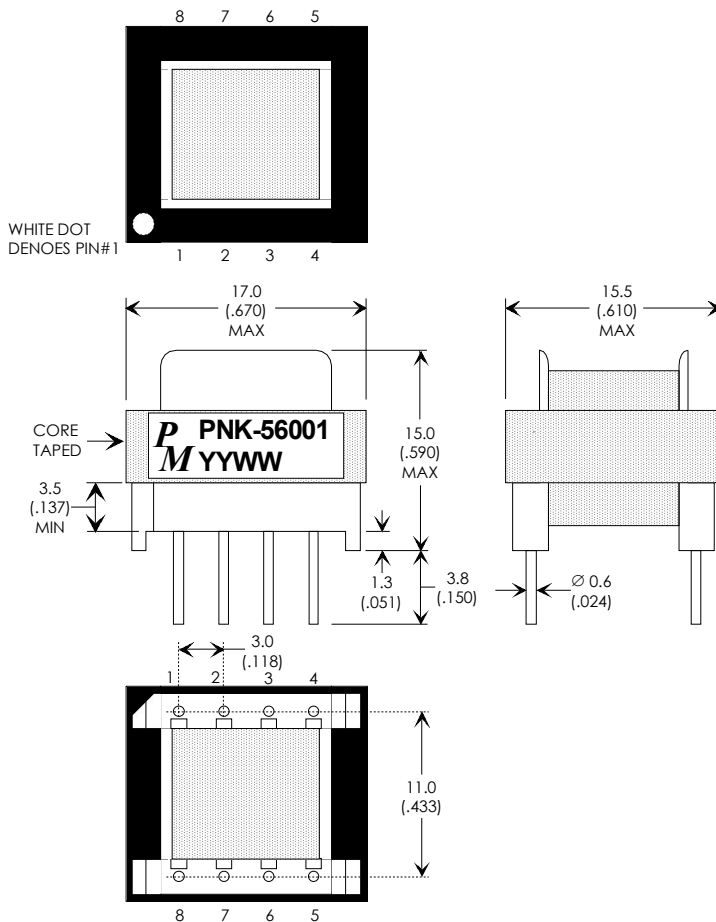


FIGURE 2: PHYSICAL DIMENSIONS mm (INCHES)



NOTE1:

- A) ALL MATERIALS MEET "UL", "CSA" & "IEC" REQUIREMENTS
- B) TRIPLE BASIC INSULATED SECONDARY.
- C) VARNISH FINISHED ASSEMBLY.

REV.	DESCRIPTION OF CHANGES	BY
04/30/13	ORIGINAL RELEASE	PP



UNLESS OTHERWISE SPECIFIED
DIMENSIONS ARE IN INCHES
DIMENSIONAL TOLERANCES ARE:
DECIMALS ANGLES
.XX ± .02 ± 5°
.XXX ± .001
DO NOT SCALE DRAWING

TRANSFORMER CONTROL DRAWING	
PREMIER P/N: PNK-56001	REVISION: 04/30/13
ENGR: PETER PHAM	REF: LINK-564PN
QA: KEVIN CLARK	SHEET: 1 OF 1