

TABLE 1: ELECTRICAL SPECIFICATIONS AT 25°C

PARAMETER	SPEC LIMITS			UNITS
	MIN.	TYP.	MAX.	
PRIMARY INDUCTANCE (1-3) FREQ. = 100 KHZ @ 0.4Vrms	2300	2484	2680	μHY
LEAKAGE IND (4-1). (TIE5-6) FREQ. = 100 KHZ @ 0.250Vrms	-----	-----	70	μHY
TURN RATIO'S: 1-3 : 6-5	-----	3.73 :1	-----	± 3%
PRIMARY RESONANT FREQUENCY	500	-----	-----	KHz
HIPOT: PRIMARY TO SECONDARY	3000	-----	-----	Vrms

FIGURE 1: SCHEMATIC DIAGRAM

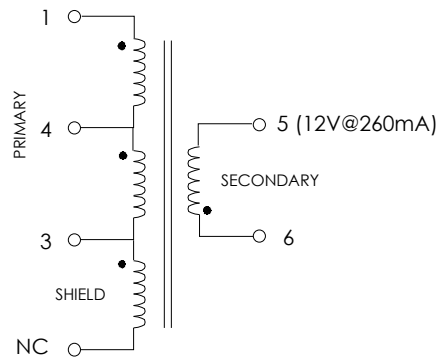
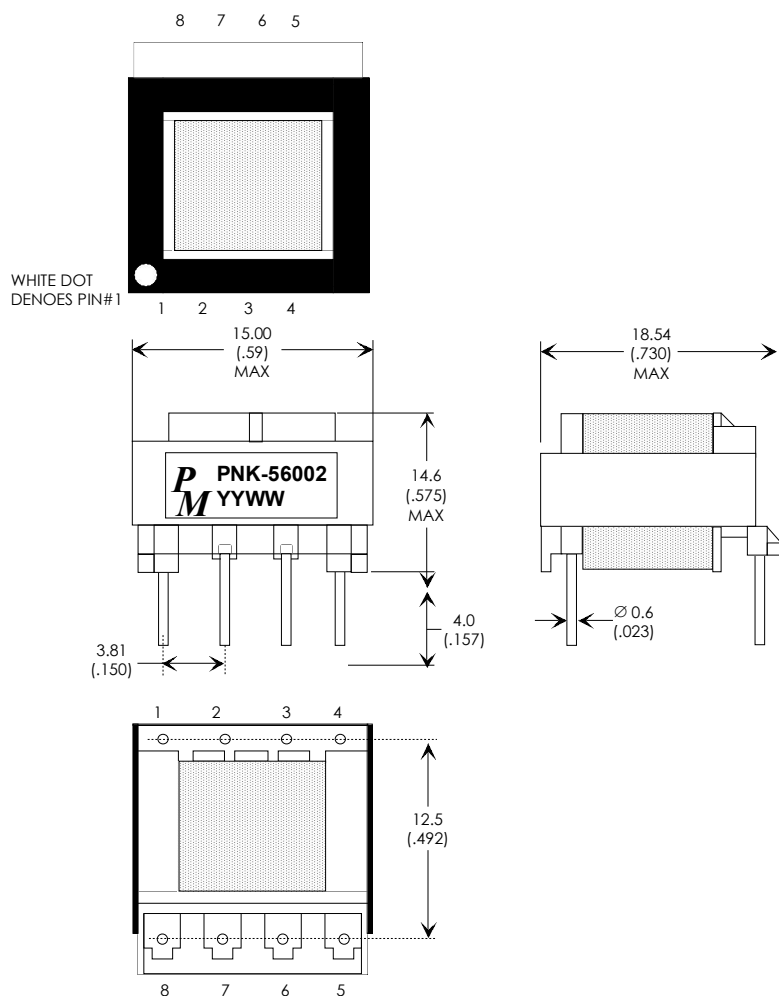


FIGURE 2: PHYSICAL DIMENSIONS mm (INCHES)



NOTE1:

- A) ALL MATERIALS MEET "UL", "CSA" & "IEC" REQUIREMENTS
- B) TRIPLE BASIC INSULATED SECONDARY
- C) VARNISH FINISHED ASSEMBLY.

REV.	DESCRIPTION OF CHANGES	BY
02/10/09	OGIRINAL RELEASE	PP
05/11/09	UPDATE, CEMENT, NO OTHER	PP

TRANSFORMER CONTROL DRAWING

PREMIER P/N: PNK-56002	REVISION: 05/11/09
ENGR: PETER PHAM	REF: LNK-LP
SCALE: NONE	SHEET: 1 OF 2



UNLESS OTHERWISE SPECIFIED
DIMENSIONS ARE IN MM
DIMENSIONAL TOLERANCES ARE:
DECIMALS ANGLES
.X ± .25 ±0° 30'
.XX ± .15
DO NOT SCALE DRAWING