

TABLE 1: ELECTRICAL SPECIFICATIONS AT 25°C

PARAMETER	SPEC LIMITS			UNITS
	MIN.	TYP.	MAX.	
PRIMARY INDUCTANCE (1-2) FREQ. = 100 KHZ @ 0.40Vrms	2.56	2.70	2.83	mHY
TURN RATIO'S: 1-2 : 4-5 1-2 : 7-6	-----	.23 1:074	-----	± 3% ± 3%
PRI LEAKAGE IND. (2-1) FREQ. = 100 KHZ @ 0.250Vrms TIE 6-7	-----	-----	90	μHY
RESONANT FREQUENCY (1-2)	300	-----	-----	KHZ
DC RESISTANCE 1-2 4-5 6-7	-----	-----	4.5 .65 .070	Ohm Ohm Ohm
HIPOT: PRIMARY TO SECONDARIES	3000	-----	-----	Vrms

FIGURE 1: SCHEMATIC DIAGRAM

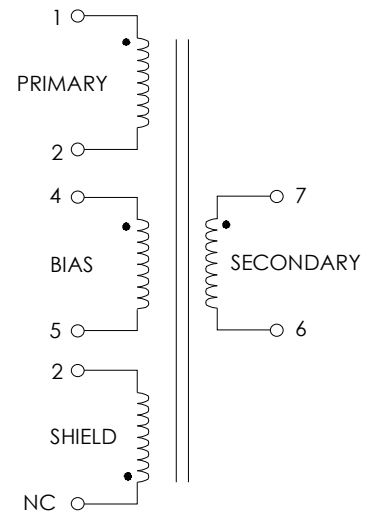
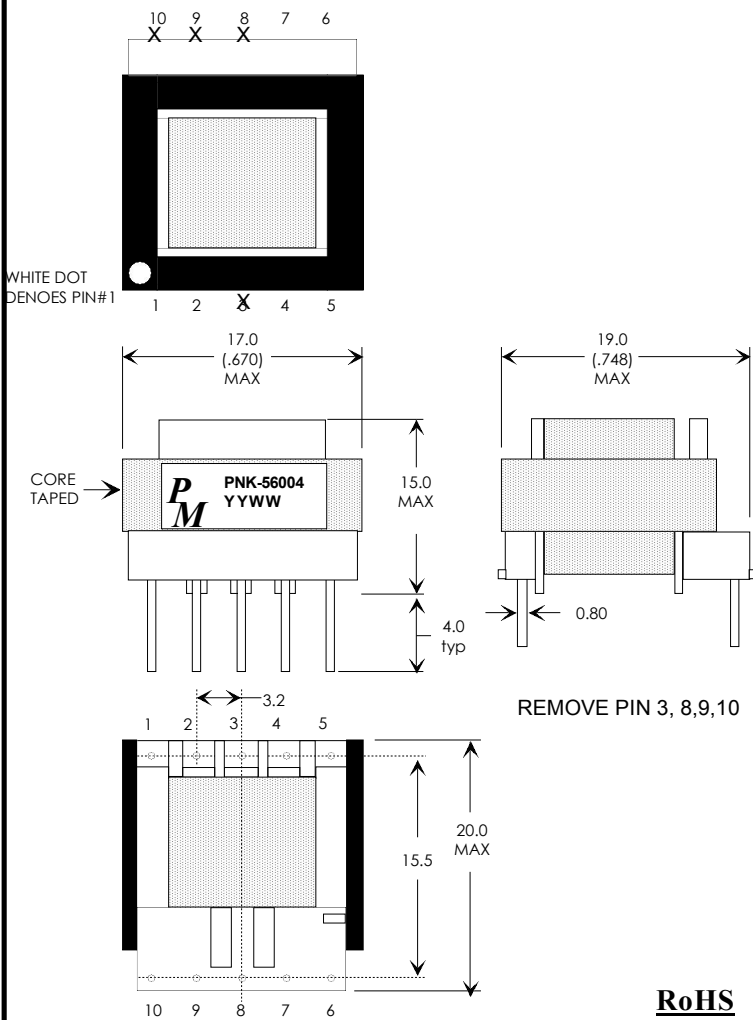


FIGURE 2: PHYSICAL DIMENSIONS mm (INCHES)



NOTE1:

- A) ALL MATERIALS MEET "UL", "CSA" & "IEC" REQUIREMENTS
- B) ALL MATERIAL RATED 130C OR BETTER.
- C) VARNISH FINISHED ASSEMBLY.

RoHS

REV.	DESCRIPTION OF CHANGES	BY
01/14/09	OGIRINAL RELEASE	PP

TRANSFORMER CONTROL DRAWING

PREMIER P/N: PNK-56004	REVISION: 01/14/09
ENGR: PETER PHAM	REF: LINK LP
SCALE: NONE	SHEET: 1 OF 1



UNLESS OTHERWISE SPECIFIED
DIMENSIONS ARE IN MM
DIMENSIONAL TOLERANCES ARE:
DECIMALS ANGLES
.X ± .25 ±0° 30'
.XX ± .15
DO NOT SCALE DRAWING