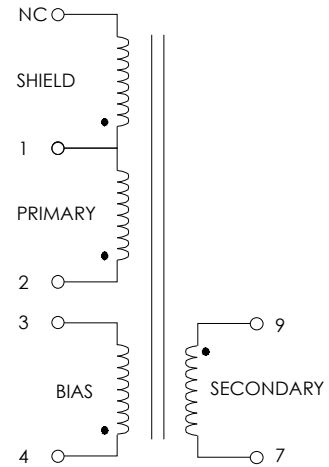


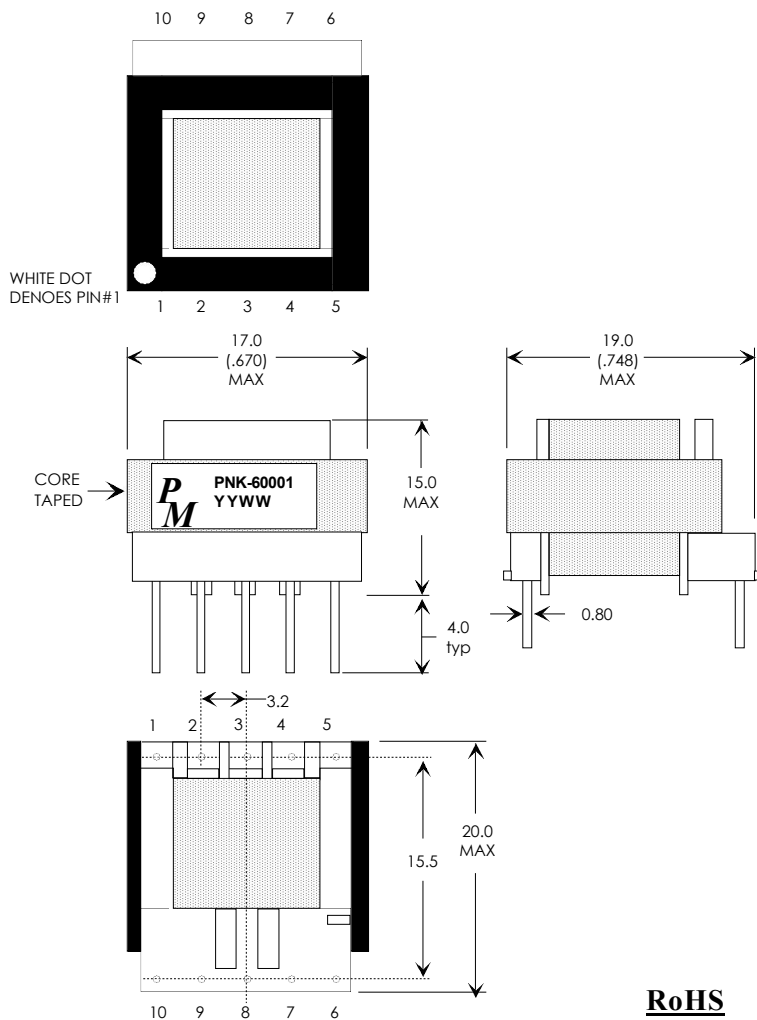
**TABLE 1: ELECTRICAL SPECIFICATIONS AT 25°C**

PARAMETER	SPEC LIMITS			UNITS
	MIN.	TYP.	MAX.	
PRIMARY INDUCTANCE (1-4) FREQ. = 100 KHZ @ 0.40Vrms	1.02	1.13	1.24	mHY
TURN RATIO'S: 2-1 : 4-3 2-1 : 9-7	-----	1:0.93 1:1.04	-----	± 3% ± 3%
PRI LEAKAGE IND. (2-1) FREQ. = 100 KHZ @ 0.250Vrms TIE 9-7	-----	-----	80	μHY
RESONANT FREQUENCY (1-2)	700	-----	-----	KHZ
HIPOT: PRIMARY & BIAS TO SECONDARY	3000	-----	-----	Vrms

**FIGURE 1: SCHEMATIC DIAGRAM**



**FIGURE 2: PHYSICAL DIMENSIONS mm (INCHES)**



- \* Design to comply with the requirements of UL/CSA/IEC 60950-1.
- \* Design to comply with the requirements of UL, IEC & CSA Insulation System Class B.
- \* All units comply with the requirements of EU RoHS Directive.
- \* All materials per Premier Magnetics UL file #E177139.

REV.	DESCRIPTION OF CHANGES	BY
05/01/13	OGIRINAL RELEASE	PP

**RoHS**



UNLESS OTHERWISE SPECIFIED  
DIMENSIONS ARE IN MM  
DIMENSIONAL TOLERANCES ARE:  
DECIMALS ANGLES  
.X ± .25 ±0° 30'  
.XX ± .15  
DO NOT SCALE DRAWING

**TRANSFORMER CONTROL DRAWING**

PREMIER P/N: PNK-60001	REVISION: 05/01/13
ENGR: PETER PHAM	REF: LINK 606
SCALE: NONE	SHEET: 1 OF 1