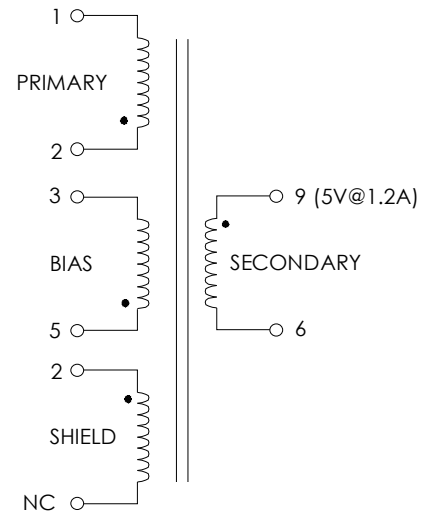


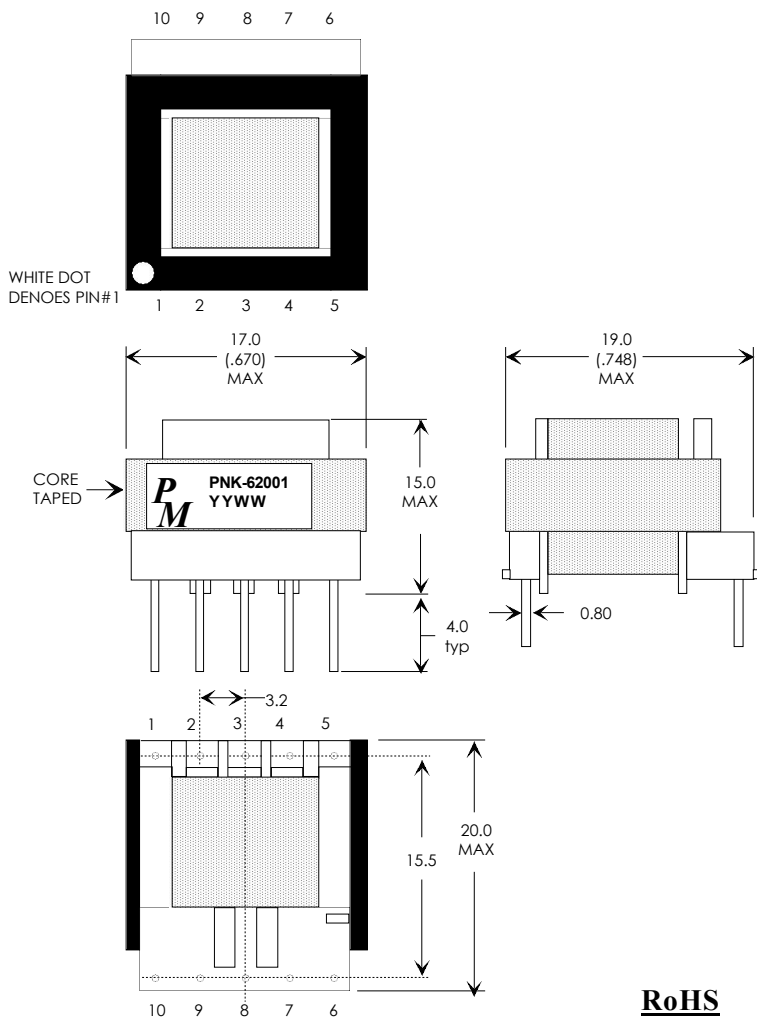
**TABLE 1: ELECTRICAL SPECIFICATIONS AT 25°C**

PARAMETER	SPEC LIMITS			UNITS
	MIN.	TYP.	MAX.	
PRIMARY INDUCTANCE (1-2) FREQ. = 100 KHZ @ 0.40Vrms	1.51	1.67	1.83	mHY
TURN RATIO'S: 2-1 : 5-3 2-1 : 9-6	-----	1 : .165 1 : .061	-----	± 3% ± 3%
PRI LEAKAGE IND. (2-1) FREQ. = 100 KHZ @ 0.250Vrms TIE 6-7	-----	-----	100	μHY
RESONANT FREQUENCY (1-2)	300	-----	-----	KHZ
HIPOT: PRIMARY TO SECONDARIES	3000	-----	-----	Vrms

**FIGURE 1: SCHEMATIC DIAGRAM**



**FIGURE 2: PHYSICAL DIMENSIONS mm (INCHES)**



**NOTE1:**  
 A) ALL MATERIALS MEET "UL", "CSA" & "IEC" REQUIREMENTS  
 B) ALL MATERIAL RATED 130C OR BETTER.  
 C) VARNISH FINISHED ASSEMBLY.

**RoHS**

REV.	DESCRIPTION OF CHANGES	BY
12/09/09	OGIRINAL RELEASE	PP



UNLESS OTHERWISE SPECIFIED  
 DIMENSIONS ARE IN MM  
 DIMENSIONAL TOLERANCES ARE:  
 DECIMALS ANGLES  
 .X ± .25 ±0° 30'  
 .XX ± .15  
 DO NOT SCALE DRAWING

TRANSFORMER CONTROL DRAWING	
PREMIER P/N: PNK-62001	REVISION: 12/09/09
ENGR: PETER PHAM	REF: LINK CV
SCALE: NONE	SHEET: 1 OF 1