

TABLE 1: ELECTRICAL SPECIFICATIONS AT 25°C

PARAMETER	SPEC LIMITS			UNITS
	MIN.	TYP.	MAX.	
PRIMARY INDUCTANCE (1-3) FREQ. = 100 KHZ @ 0.40Vrms	1.49	1.62	1.75	mHY
TURN RATIO'S: 3-1 : 5-2 3-1 : 12-10 3-1 : 11-9 3-1 : 6-7	-----	1 : .095 1 : .20 1 : .050 1 : .065	-----	± 2% ± 2% ± 2% ± 2%
PRI LEAKAGE IND. (1-3) FREQ. = 100 KHZ @ 0.250Vrms TIE SEC'S	-----	-----	210	μHY
RESONANT FREQUENCY (1-3)	350	-----	-----	KHZ
HIPOT: PRIMARY TO SECONDARIES	4250	-----	-----	Vrms

FIGURE 1: SCHEMATIC DIAGRAM

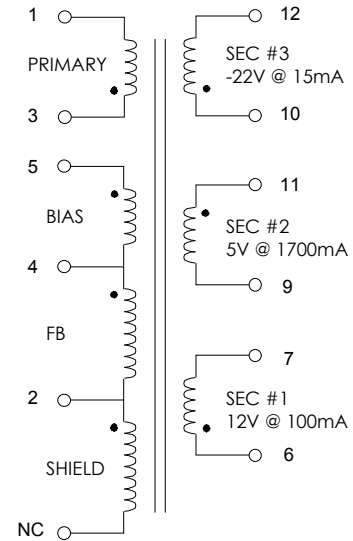
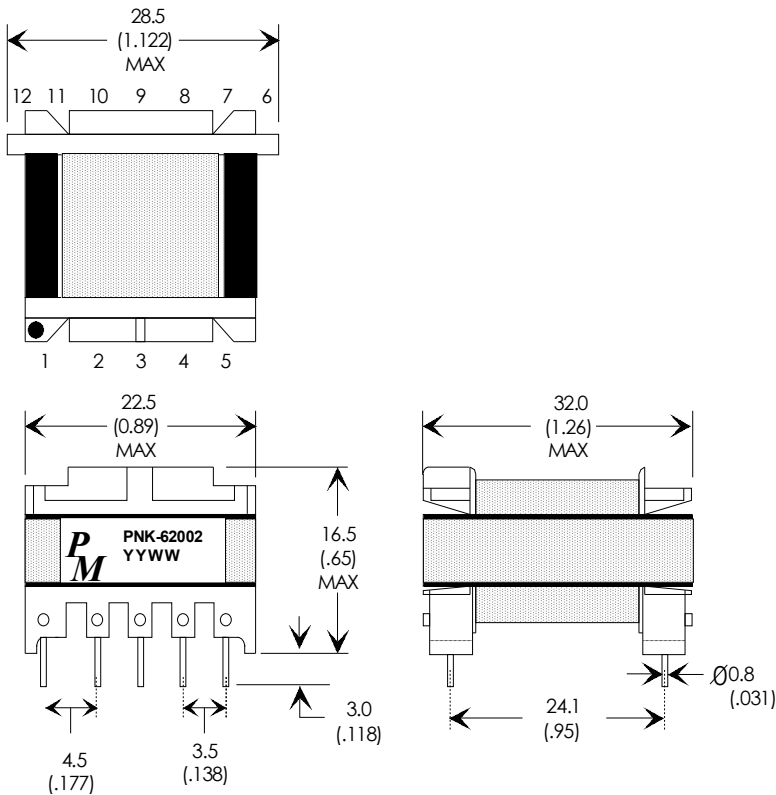


FIGURE 2: PHYSICAL DIMENSIONS mm (INCHES)



NOTE1:

- A) ALL MATERIALS MEET "UL", "CSA" & "IEC" REQUIREMENTS
- B) ALL MATERIAL RATED 130C OR BETTER.
- C) VARNISH FINISHED ASSEMBLY.

RoHS

REV.	DESCRIPTION OF CHANGES	BY
12/09/09	OGIRINAL RELEASE	PP



UNLESS OTHERWISE SPECIFIED
 DIMENSIONS ARE IN MM
 DIMENSIONAL TOLERANCES ARE:
 DECIMALS ANGLES
 .X ± .25 ±0° 30'
 .XX ± .15
 DO NOT SCALE DRAWING

TRANSFORMER CONTROL DRAWING	
PREMIER P/N: PNK-62002	REVISION: 12/09/09
ENGR: PETER PHAM	REF: LINK CV
SCALE: NONE	SHEET: 1 OF 1