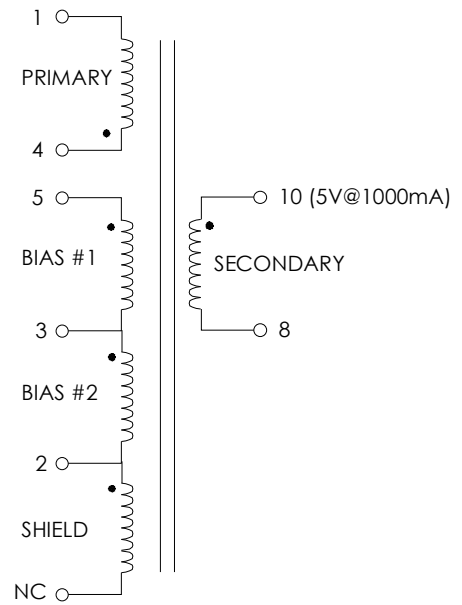


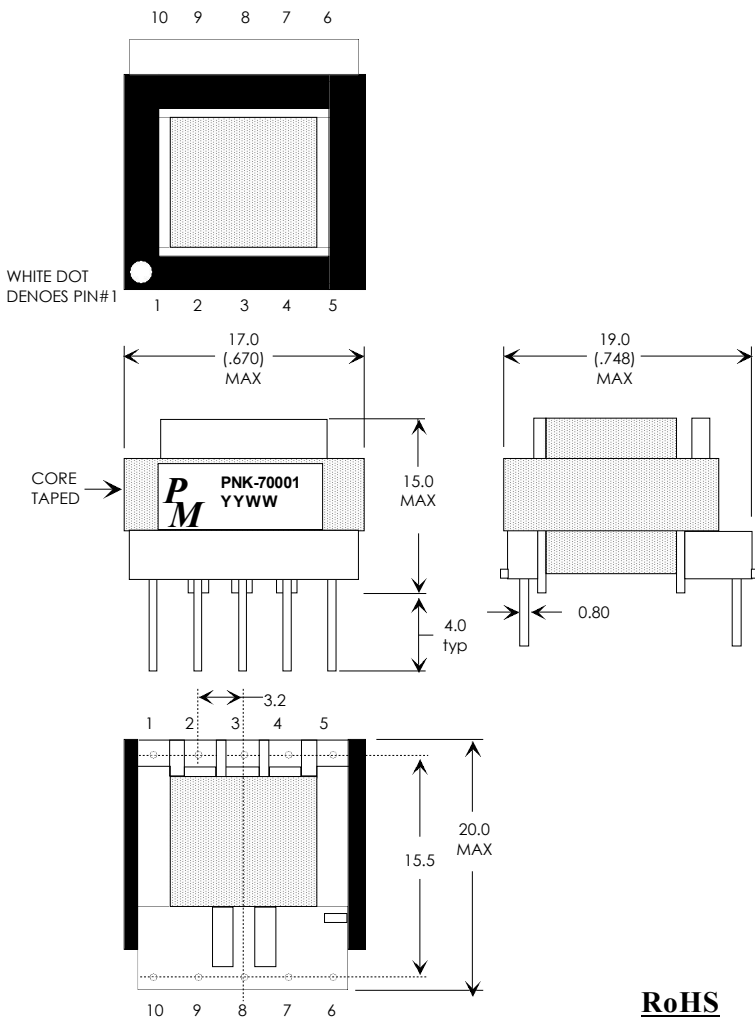
**TABLE 1: ELECTRICAL SPECIFICATIONS AT 25°C**

PARAMETER	SPEC LIMITS			UNITS
	MIN.	TYP.	MAX.	
PRIMARY INDUCTANCE (1-4) FREQ. = 100 KHZ @ 0.40Vrms	0.967	1.074	1.181	mHY
TURN RATIO'S: 4-1 : 10-8 4-1 :5-3 4-1 :3-2	-----	1:..067 1:..057 1:..057	-----	± 3% ± 3% ± 3%
PRI LEAKAGE IND. (4-1) FREQ. = 100 KHZ @ 0.40Vrms TIE 10-8	-----	-----	95	μHY
RESONANT FREQUENCY (4-1)	1000	-----	-----	KHZ
HIPOT: PRIMARY TO SECONDARIES	3000	-----	-----	Vrms

**FIGURE 1: SCHEMATIC DIAGRAM**



**FIGURE 2: PHYSICAL DIMENSIONS mm (INCHES)**



**NOTE1:**  
 A) ALL MATERIALS MEET "UL", "CSA" & "IEC" REQUIREMENTS  
 B) ALL MATERIAL RATED 130C OR BETTER.  
 C) VARNISH FINISHED ASSEMBLY.

**RoHS**

REV.	DESCRIPTION OF CHANGES	BY
09/16/11	OGIRINAL RELEASE	PP



UNLESS OTHERWISE SPECIFIED  
 DIMENSIONS ARE IN MM  
 DIMENSIONAL TOLERANCES ARE:  
 DECIMALS ANGLES  
 .X ± .25 ±0° 30'  
 .XX ± .15  
 DO NOT SCALE DRAWING

TRANSFORMER CONTROL DRAWING	
PREMIER P/N: PNK-70001	REVISION: 09/16/11
ENGR: PETER PHAM	REF: LINK-XT
QA: KEVIN CLARK	SHEET: 1 OF 1