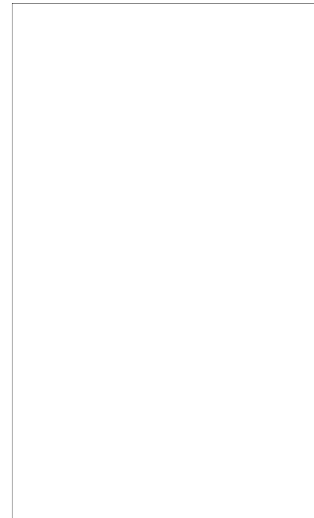


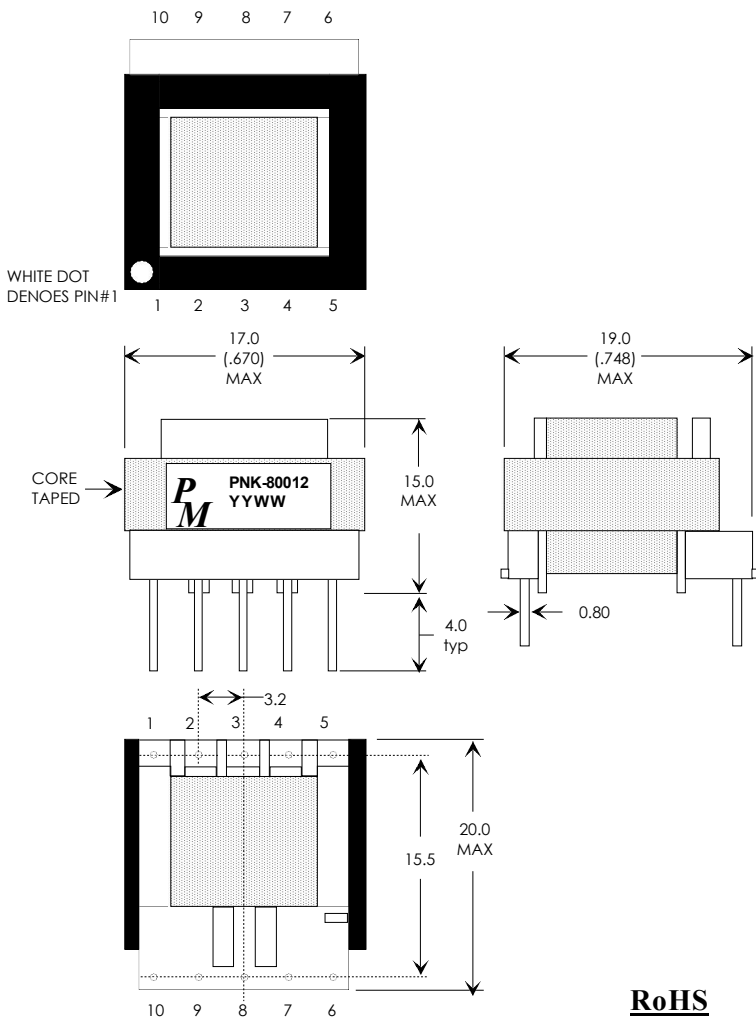
**TABLE 1: ELECTRICAL SPECIFICATIONS AT 25°C**

PARAMETER	SPEC LIMITS			UNITS
	MIN.	TYP.	MAX.	
PRIMARY INDUCTANCE (1-3) FREQ. = 100 KHZ @ 0.40Vrms	820	911	1000	μH
TURN RATIO'S: 3-1 : 5-4 3-1 : 10-8	-----	1 : .191 1 : .206	-----	± 3% ± 3%
PRI LEAKAGE IND. (3-1) FREQ. = 100 KHZ @ 0.250Vrms TIE 8-10	-----	-----	25	μHY
RESONANT FREQUENCY (1-3)	850	-----	-----	KHZ
DCR 1-3 4-5 8-10	-----	-----	4.0 3.0 1.0	Ohm Ohm Ohm
HIPOT: PRIMARY TO SECONDARIES	3000	-----	-----	Vrms

**FIGURE 1: SCHEMATIC DIAGRAM**



**FIGURE 2: PHYSICAL DIMENSIONS mm (INCHES)**



**NOTE1:**

- A) ALL MATERIALS MEET "UL", "CSA" & "IEC" REQUIREMENTS
- B) ALL MATERIAL RATED 130C OR BETTER.
- C) VARNISH FINISHED ASSEMBLY.

REV.	DESCRIPTION OF CHANGES	BY
11/23/09	OGIRINAL RELEASE	PP

**RoHS**



UNLESS OTHERWISE SPECIFIED  
DIMENSIONS ARE IN MM  
DIMENSIONAL TOLERANCES ARE:  
DECIMALS ANGLES  
.X ± .25 ±0° 30'  
.XX ± .15  
DO NOT SCALE DRAWING

**TRANSFORMER CONTROL DRAWING**

PREMIER P/N: PNK-80012	REVISION: 11/23/09
ENGR: PETER PHAM	REF: LINK
SCALE: NONE	SHEET: 1 OF 1