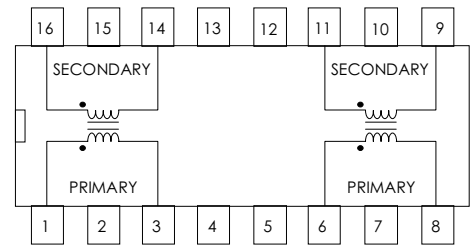


TABLE 1: ELECTRICAL SPECIFICATIONS AT 25 °C

PARAMETER	SPEC LIMITS			UNITS
	MIN.	TYP.	MAX.	
URNS RATIO (PRI:SEC)	—	1:1	—	± 1%
PRIMARY INDUCTANCE: (L_p) VOLTAGE = 0.200Vrms FREQUENCY = 100 KHZ	12.0	18.0	24.0	μ Hy
LEAKAGE INDUCTANCE: (L_L) VOLTAGE LEVEL = 0.200Vrms FREQUENCY = 1 MHZ	—	—	.130	μ Hy
PRI. TO SEC. CAPACITANCE: (C_{ww}) VOLTAGE LEVEL = 0.200Vrms FREQUENCY = 1 MHZ	—	—	1.50	pf
DC RESISTANCE EACH WINDING	—	—	0.15	OHMS
HI-POT	3000	—	—	Vrms
OPERATING TEMP RANGE	0	—	70	°C

FIGURE 1: SCHEMATIC DIAGRAM



NOTE1:
REINFORCED INSULATION SYSTEM (UL1950, IEC950):
 A) ALL MATERIALS MEET "UL", "CSA" & "IEC" REQUIREMENTS
 B) 130°C REINFORCED INSULATION SYSTEM.
 C) RXT REINFORCED INTERNAL CONSTRUCTION.
 D) DESIGNED FOR >6.2mm CREEPAGE

FIGURE 2: PHYSICAL DIMENSIONS IN INCHES, (mm)

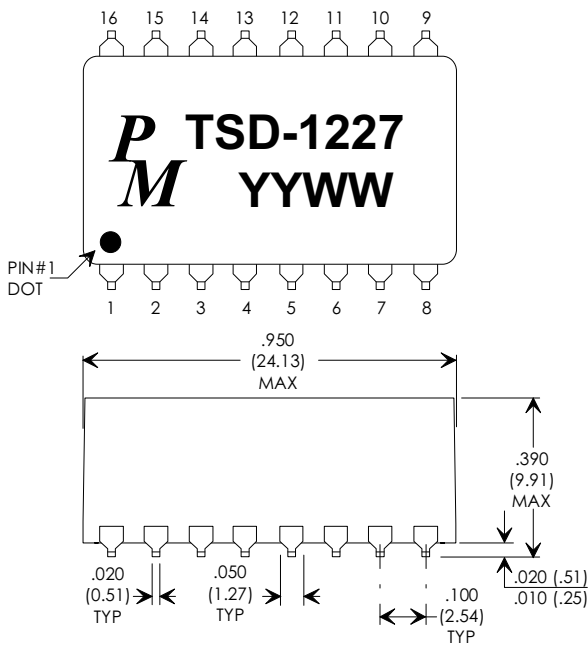
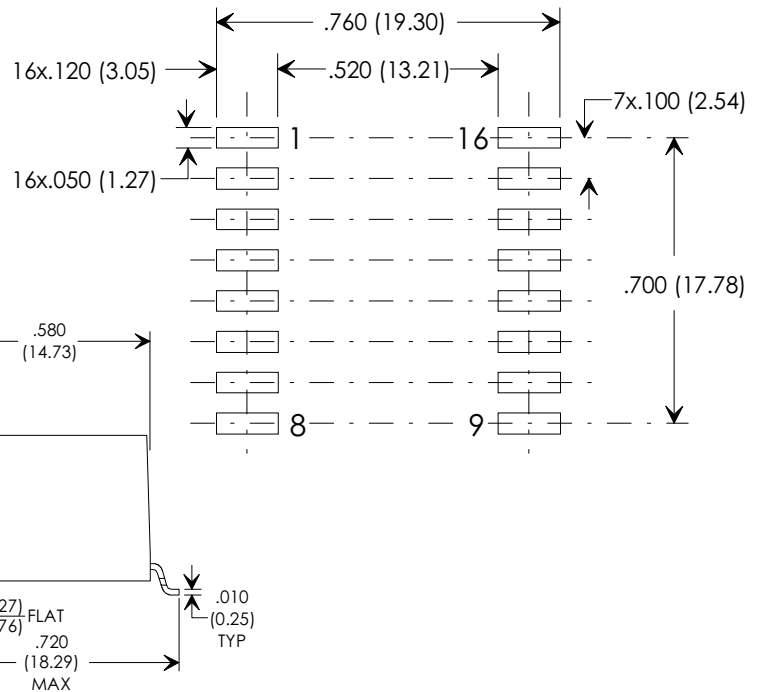


FIGURE 3: RECOMMENDED PCB LAYOUT DIMENSION IN INCHES, (mm)



TOROID



UNLESS OTHERWISE SPECIFIED
 DIMENSIONS ARE IN INCHES
 DIMENSIONAL TOLERANCES ARE:
 DECIMALS ANGLES
 .XX ± .01 ± 5°
 .XXX ± .005
 DO NOT SCALE DRAWING

REV.	DESCRIPTION OF CHANGES
07/14/98	UPDATED RELEASE

WIDE BAND TRANSFORMER CONTROL DRAWING	
PREMIER P/N: TSD-1227	REVISION: 08/13/98
DRAWN BY: TOM O'NEIL	REF: 3KV PM-WT75
SCALE: NONE	SHEET: 1 OF 2