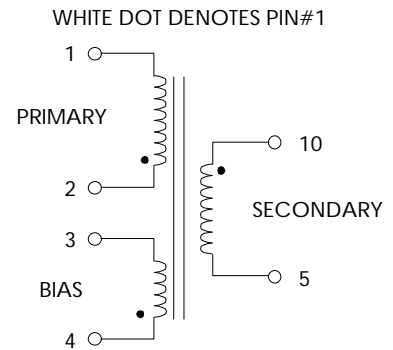


TABLE 1: ELECTRICAL SPECIFICATIONS AT 25 °C

PARAMETER	SPEC LIMITS			UNITS
	MIN.	TYP.	MAX.	
PRIMARY INDUCTANCE (2-1) VOLTAGE = 0.250Vrms FREQUENCY = 100 KHZ	855	950	1045	μHY
TURN RATIO'S: BIAS : PRIMARY (4-3 : 2-1) SEC#1 : PRIMARY (10-5 : 2-1)	----- -----	1 : 21.8 1 : 7.27	----- -----	± 4% ± 4%
PRILEAKAGE INDUCTANCE VOLTAGE = 0.250Vrms FREQUENCY = 100 KHZ	-----	-----	50.0	μHY
HIPOT PRIMARY & BIAS TO SECONDARY	3000	-----	-----	Vrms

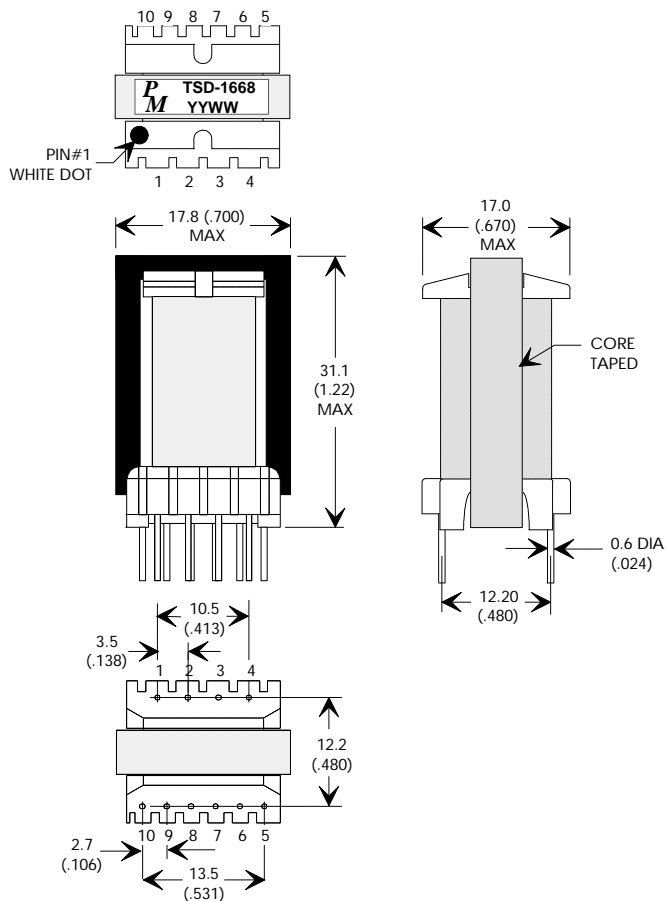
FIGURE 1: SCHEMATIC DIAGRAM



NOTE1:

- A) ALL MATERIALS MEET "UL", "CSA" & "IEC" REQUIREMENTS
- B) TRIPLE BASIC INSULATED SECONDARY.
- D) VARNISH FINISHED ASSEMBLY.

FIGURE 2: PHYSICAL DIMENSIONS mm (INCHES)



REV.	DESCRIPTION OF CHANGES	BY
06/13/01	ORIGINAL RELEASE	PP
07/12/01	UPDATED NEW DIMENSIONS AND WINDING INSTRUCTIONS	MP
07/25/01	UPDATED TEST LIMIT FOR LEAKAGE INDUCTANCE	MP

EEL-16, 10-PIN VERTICAL BOBBIN



UNLESS OTHERWISE SPECIFIED
DIMENSIONS ARE IN MM
DIMENSIONAL TOLERANCES ARE:
DECIMALS ANGLES
.X ± .25 ±0° 30'
.XX ± .15
DO NOT SCALE DRAWING

TRANSFORMER CONTROL DRAWING	
PREMIER P/N: TSD-1668	REVISION: 07/25/01
ENGR: PETER PHAM	REF: TOP232
SCALE: NONE	SHEET: 1 OF 4