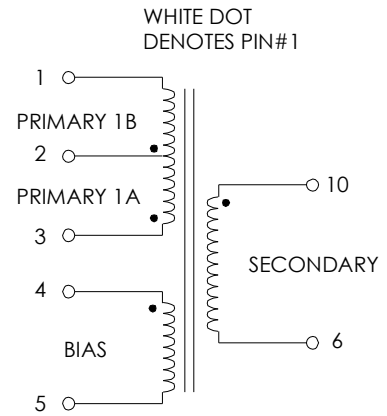


TABLE 1: ELECTRICAL SPECIFICATIONS AT 25 °C

PARAMETER	SPEC LIMITS			UNITS
	MIN.	TYP.	MAX.	
PRIMARY INDUCTANCE (3-1) VOLTAGE = 0.250Vrms FREQUENCY = 100 KHZ	760	826	890	μHY
TURN RATIO'S: SEC (10-6) : PRIMARY (3-1) SEC (10-6) : PRIMARY#1A (3-2) BIAS (4-5) : PRIMARY (3-1)	-----	1 : 5.38 1 : 2.69 1 : 8-75	-----	+24% ±2% ±2%
PRI LEAKAGE IND. (SEC SHORTED) VOLTAGE = 0.250Vrms FREQUENCY = 100 KHZ	-----	-----	18	μHY
HIPOT: PRI & BIAS TO SEC PRI TO BIAS	3000 200	----- -----	----- -----	Vrms Vrms

FIGURE 1: SCHEMATIC DIAGRAM

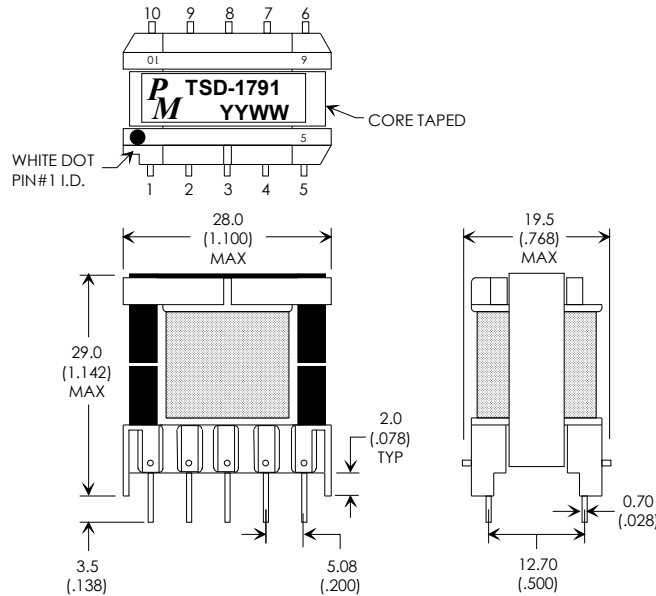


**PRIMARY PIN # 2 FOR CENTERTAP ONLY.
FULL PRIMARY FROM PIN #3 TO PIN #1.**

NOTE1:

- A) ALL MATERIALS MEET "UL", "CSA" & "IEC" REQUIREMENTS
- B) ALL MATERIAL RATED 130 °C OR BETTER.
- C) VARNISH FINISHED ASSEMBLY.

FIGURE 2: PHYSICAL DIMENSIONS mm (INCHES)



REV.	DESCRIPTION OF CHANGES	BY
08/30/02	UPDATE RELEASE / SWAPPED TURN OF SEC #1 & 4	PP
11/12/03	UPDATED PRI. LEAKAGE IND. PARAMETER	LL



UNLESS OTHERWISE SPECIFIED
DIMENSIONS ARE IN INCHES
DIMENSIONAL TOLERANCES ARE:
DECIMALS ANGLES
.XX ± .01 ± 5°
.XXX ± .005
DO NOT SCALE DRAWING

TRANSFORMER CONTROL DRAWING

PREMIER P/N: TSD-1791	REVISION: 11/12/03
DRAWN BY: PETER PHAM	REF: TOP 234
SCALE: NONE	SHEET: 1 OF 1