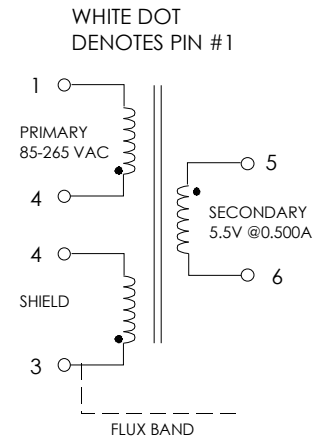


TABLE 1: ELECTRICAL SPECIFICATIONS AT 25 °C

PARAMETER	SPEC LIMITS			UNITS
	MIN.	TYP.	MAX.	
INDUCTANCE (3-1) VOLTAGE = 0.100Vrms FREQUENCY = 42 KHz	2400	2550	2700	μHY
LEAKAGE INDUCTANCE (3-1) VOLTAGE = 0.100Vrms, TIE 5-6 FREQUENCY = 100 KHz	-----	-----	50	μHY
TURNRATIO'S: (4-1) : (5-6)	-----	7.73 : 1	-----	± 2%
PRIMARY RESONANT FREQUENCY	300	-----	-----	KHz
HIPOT: PRI TO SEC	3750	-----	-----	Vrms
INPUT OUTPUT VOLTAGE OUTPUT POWER	85	5.5	265 2.75	VAC VDC WATT

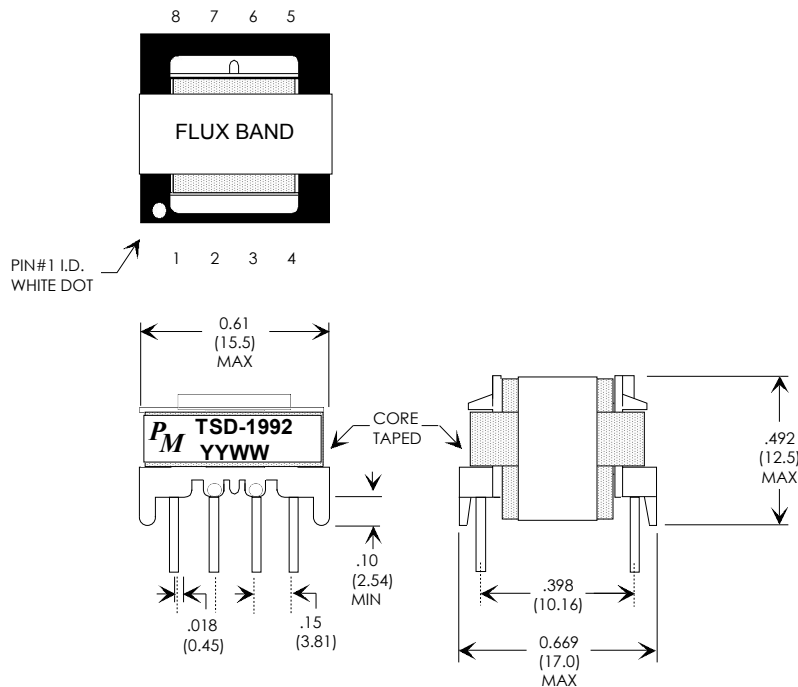
FIGURE 1: SCHEMATIC DIAGRAM



NOTE1:

- A) ALL MATERIALS TO MEET UL, CSA & IEC SAFETY REQUIREMENTS
- B) ALL MATERIAL RATED 130 °C OR BETTER.
- C) TRIPLE INSULATION ON SECONDARY.
- D) VARNISH FINISHED ASSEMBLY.

FIGURE 2: PHYSICAL DIMENSIONS mm (INCHES)



REV.	DESCRIPTION OF CHANGES	BY
05/10/04	ORIGINAL RELEASE	PP
03/16/05	UPDATE DRAWING	PP
03/13/06	CHANGED THE BOBBIN TO 8 PINS	PP



UNLESS OTHERWISE SPECIFIED
DIMENSIONS ARE IN MM
DIMENSIONAL TOLERANCES ARE:
DECIMALS ANGLES
.X ± .25 ±0° 30'
.XX ± .15
DO NOT SCALE DRAWING

TRANSFORMER CONTROL DRAWING	
PREMIER P/N: TSD-1992	REVISION: 03/13/06
DRAWN BY: PETER PHAM	REF: LNK501
SCALE: NONE	SHEET: 1 OF 4

APPLICATION NOTES

Premier Magnetics' TSD-1992 Switch Mode Transformer was designed for use with Power Integrations, Inc. LNK501 LinkSwitch. This conversion topology will provide an isolated output with efficiencies more than 70%. Premier's tsd-1992 transformer has been optimized to provide maximum power throughput.

Below is a universal input high precision 2.75 watt application circuit. The component values listed are intended for reference purposes only. Proper thermal management of the D6 is required for reliable operation. Careful evaluation by the end user is required and should be based on the actual application & it's associated environmental conditions.

FIGURE 3: TYPICAL APPLICATION CIRCUIT

PREMIER MAGNETICS PART NUMBERS:
 (REQUEST DATA SHEETS BY PART#)
 T1 = TSD-1992 MAIN SWITCHING TRANSFORMER

ALUMINUM ELECTROLYTIC FILTER CAPACITOR RATINGS:
 C5 : $\geq 10V$, Ripple Rated $\geq 750mA$ @ Max. Op. Temp.
 (Panasonic P/N EEUFA1A821, 105C)
 C6 : $\geq 10V$, (Panasonic P/N ECA1AFG221, 105C)
 D1-D4: 600V, 1A (General Instrument P/N 1N4005)

