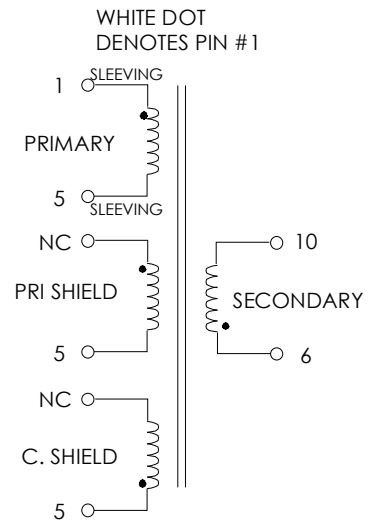


TABLE 1: ELECTRICAL SPECIFICATIONS AT 25 °C

PARAMETER	SPEC LIMITS			UNITS
	MIN.	TYP.	MAX.	
INDUCTANCE (1-5) VOLTAGE = 0.100Vrms FREQUENCY = 42 KHZ	793	882	970	μHY
LEAKAGE INDUCTANCE (1-5) VOLTAGE = 0.100Vrms, TIE 6-10 FREQUENCY = 100 KHZ	-----	-----	120	μHY
TURNRATIO'S: PRI (1-5) : SEC (6-10)	-----	8.37 : 1	-----	± 2%
HIPOT: PRI TO SEC	3000	-----	-----	Vrms

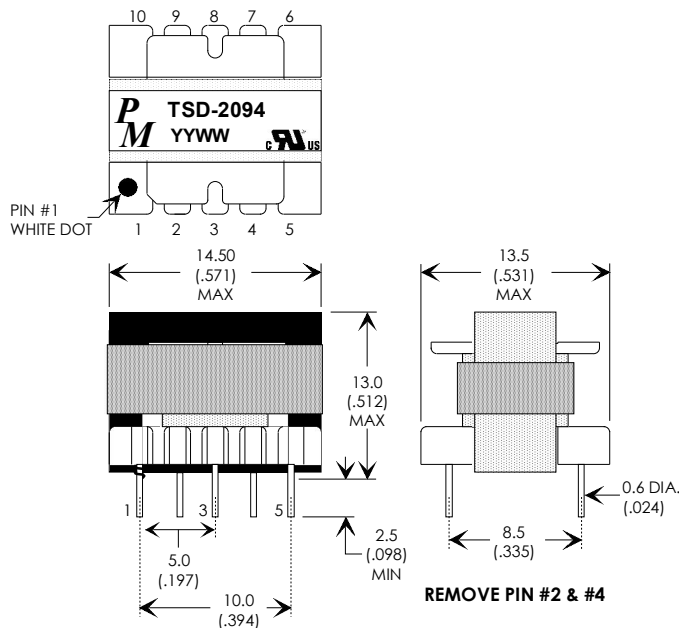
FIGURE 1: SCHEMATIC DIAGRAM



NOTE1:

- A) ALL MATERIALS TO MEET UL, CSA & IEC SAFETY REQUIREMENTS
- B) ALL MATERIAL RATED 130 °C OR BETTER.
- C) TRIPLE INSULATION ON SECONDARY.
- D) VARNISH FINISHED ASSEMBLY.

FIGURE 2: PHYSICAL DIMENSIONS mm (INCHES)



1. CUFF-WRAP THE BOTTOM OF CORE
2. OUT SIDE SHIELD CONNECT TO PIN #1 AND COVER 100% CU BY TAPE

REV.	DESCRIPTION OF CHANGES	BY
05/10/04	ORIGINAL RELEASE	PP
07/15/05	ADD CUFF-WRAP THE CORE	PP
11/17/05	ADD COVER CU BY TAPE	PP
02/23/06	CHANGED PIN #2 TO #5, ADD SLEEVING	PP
03/08/06	ADD MORE DETAIL ON FIGURE 3, ADD UL MARKING	PP
04/26/06	UPDATED L & W MAX DIMENSION	LL
03/08/07	OUT SIDE SHIELD CONNECT TO PIN #1	PP



UNLESS OTHERWISE SPECIFIED
DIMENSIONS ARE IN MM
DIMENSIONAL TOLERANCES ARE:
DECIMALS ANGLES
.X ± .25 ±0° 30'
.XX ± .15
DO NOT SCALE DRAWING

TRANSFORMER CONTROL DRAWING

PREMIER P/N: TSD-2094	REVISION: 03/08/07
DRAWN BY: PETER PHAM	REF:
SCALE: NONE	SHEET: 1 OF 1