

TABLE 1: ELECTRICAL SPECIFICATIONS AT 25 °C
FOR P1LNK520, 5.5V@500mA

PARAMETER	SPEC LIMITS			UNITS
	MIN.	TYP.	MAX.	
PRIMARY INDUCTANCE (2-1) FREQ. = 10 KHZ @ 1.0Vrms	2.27	2.52	2.77	mHY
TURNRATIO'S: SECONDARY: PRIMARY BIAS: PRIMARY	----- -----	1:12.5 1:3.85	----- -----	± 3% ± 3%
PRILEAKAGE IND. (SEC'S SHORTED) FREQ. = 100 KHZ @ 0.250Vrms	-----	-----	80	μHY
HIPOT: PRIMARY TO SECONDARIES BIAS TO SECONDARY	1500 1500	----- -----	----- -----	Vrms Vrms

FIGURE 1: SCHEMATIC DIAGRAM

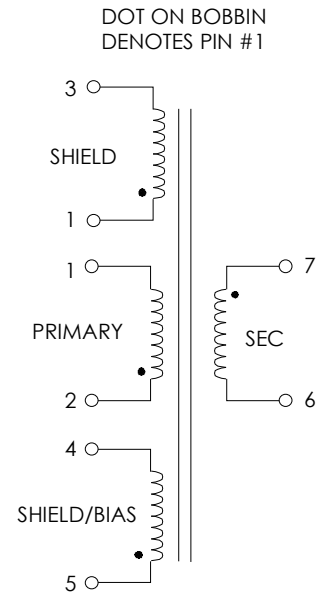
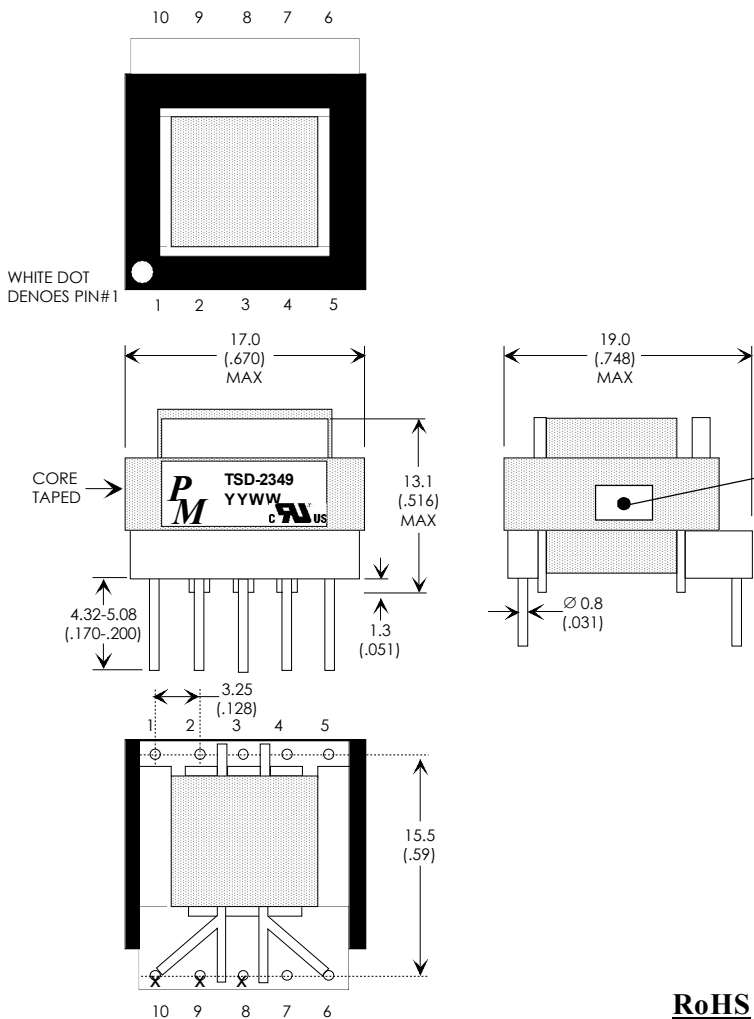


FIGURE 2: PHYSICAL DIMENSIONS mm (INCHES)



UL INSULATION SYMBOL AND MANUFACTURER IDENTIFICATION HERE

NOTE1:
REINFORCED INSULATION SYSTEM, UL1950, IEC950, CSA-950:
 A) ALL MATERIALS MEET "UL", "CSA" & "IEC" REQUIREMENTS
 B) TRIPLE BASIC INSULATED SECONDARY.
 C) DESIGNED TO MEET >6.0mm CREEPAGE REQUIREMENTS.
 D) VARNISH FINISHED ASSEMBLY.
 E) UL1950 & CSA-950 CERTIFIED: FILE #E162344.
 F) UL CLASS (B) 130 INSULATION SYSTEM
 PM130-H1, PM130-H1A (UL FILE #E177139) OR ANY UL AUTHORIZED CLASS (B) INSULATION SYSTEM.

REV.	DESCRIPTION OF CHANGES	BY
06/11/07	OGIRINAL RELEASE	PP
09/21/07	CHANGED THE WDG INSTRUCTION, ADD MORE DETAIL	PP
06/18/08	CORRECT BOM PER PREMIER UL FILE & ul LOGO	PP
04/16/09	CORRECT PIN LENGTH, REMOVE NOTE: CUT PIN #3	PP

RoHS



UNLESS OTHERWISE SPECIFIED
 DIMENSIONS ARE IN MM
 DIMENSIONAL TOLERANCES ARE:
 DECIMALS ANGLES
 .X ± .25 ±0° 30'
 .XX ± .15
 DO NOT SCALE DRAWING

TRANSFORMER CONTROL DRAWING	
PREMIER P/N: TSD-2349	REVISION: 04/16/09
ENGR: PETER PHAM	REF: LNK520P
SCALE: NONE	SHEET: 1 OF 1