

TABLE 1: ELECTRICAL SPECIFICATIONS AT 25 °C

PARAMETER	SPEC LIMITS			UNITS
	MIN.	TYP.	MAX.	
INDUCTANCE: V=1Vrms, F=10kHz REF 1-2, 3-4	6.65	9.0	12.9	mH
URNS RATIO: V=1Vrms, F=10kHz REF 1-2 : 3-4	---	1 : 1	---	±3%
HIPOT: 60Hz at 5mA for 1 second WINDING 1 TOWINDING 2	500	---	---	Vrms

FIGURE 1: SCHEMATIC DIAGRAM

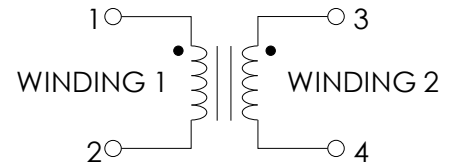
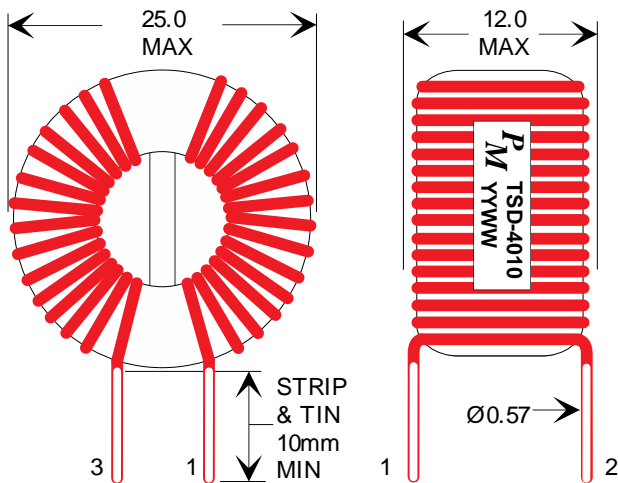


FIGURE 2: PHYSICAL DIMENSIONS IN mm



NOTES:

- 1) All materials comply with Insulation System Class F.
- 2) All units comply with the requirements of EU RoHS Directive.
- 3) All materials per Premier Magnetics UL file #E177139.

RoHS



UNLESS OTHERWISE SPECIFIED
DIMENSIONS ARE IN mm
DIMENSIONAL TOLERANCES ARE:
DECIMALS ANGLES
.X ±.4 ± 0° 30'
.XX ±.30
DO NOT SCALE DRAWING

COMMON MODE CHOKE CONTROL DRAWING

PREMIER P/N: TSD-4010	REVISION: 07/24/17
ENGR: RISHA PADILLA	REF: L2, DER-580, TOP267EG
APPROVED: PETER PHAM	SHEET: 1 OF 1