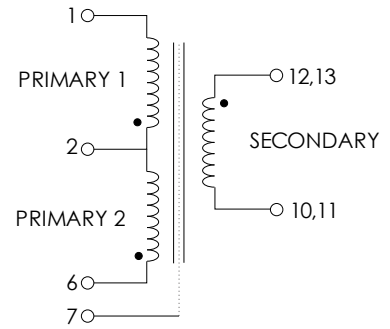


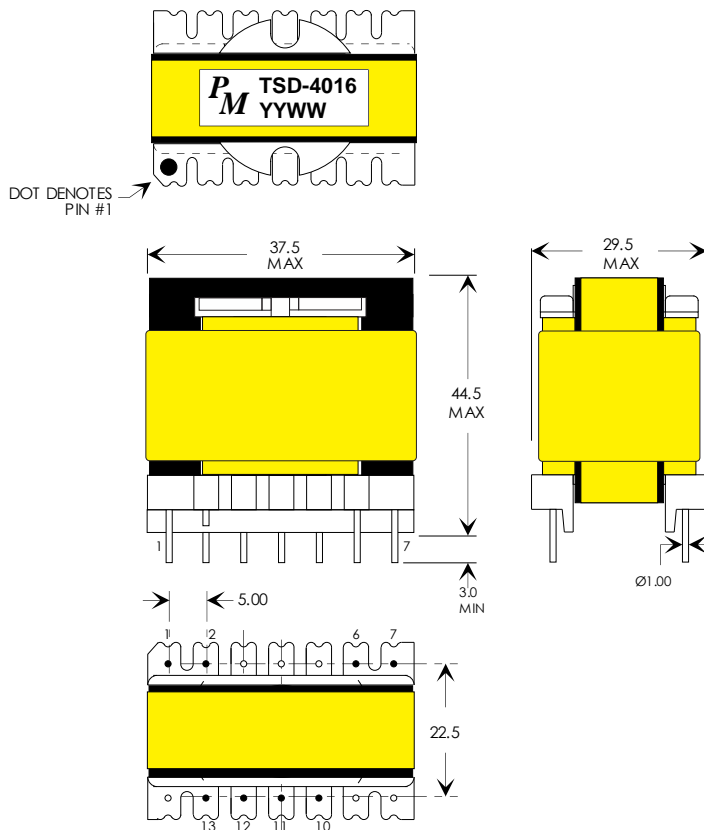
**TABLE 1: ELECTRICAL SPECIFICATIONS AT 25 °C**

PARAMETER	SPEC LIMITS			UNITS
	MIN.	TYP.	MAX.	
INDUCTANCE: V=0.4Vrms, F=100kHz 6-1	12	---	33	mH
LEAKAGE INDUCTANCE: V=0.4Vrms, F=100kHz 6-1 (SHORT PINS 10-13)	---	---	13	μH
TURNSTRATIO: V=0.4Vrms, F=100kHz 6-1 : 6-2 6-1 : 10,11-12,13	---	2.3 : 1 2.76 : 1	---	±3% ±3%
RESONANT FREQUENCY: 6-1	150	---	---	kHz
HIPOT: 60Hz at 5mA for 1 second PINS 1-6 TO PINS 10-13	3000	---	---	Vrms

**FIGURE 1: SCHEMATIC DIAGRAM**



**FIGURE 2: PHYSICAL DIMENSIONS IN mm**



**NOTES:**

- 1) All materials comply with Insulation System Class B.
- 2) All units comply with the requirements of EU RoHS Directive.
- 3) All materials per Premier Magnetics UL file #E177139.
- 4) Cut pin 2.
- 5) Remove pins 3,4,5,8,9,14.

**RoHS**



UNLESS OTHERWISE SPECIFIED  
DIMENSIONS ARE IN mm  
DIMENSIONAL TOLERANCES ARE:  
DECIMALS ANGLES  
.X ±.4 ± 0° 30'  
.XX ±.30  
DO NOT SCALE DRAWING

**TRANSFORMER CONTROL DRAWING**

PREMIER P/N: TSD-4016	REVISION: 03/22/18
ENGR: RISHA PADILLA	REF: T1, DER-484
APPROVED: PETER PHAM	SHEET: 1 OF 1